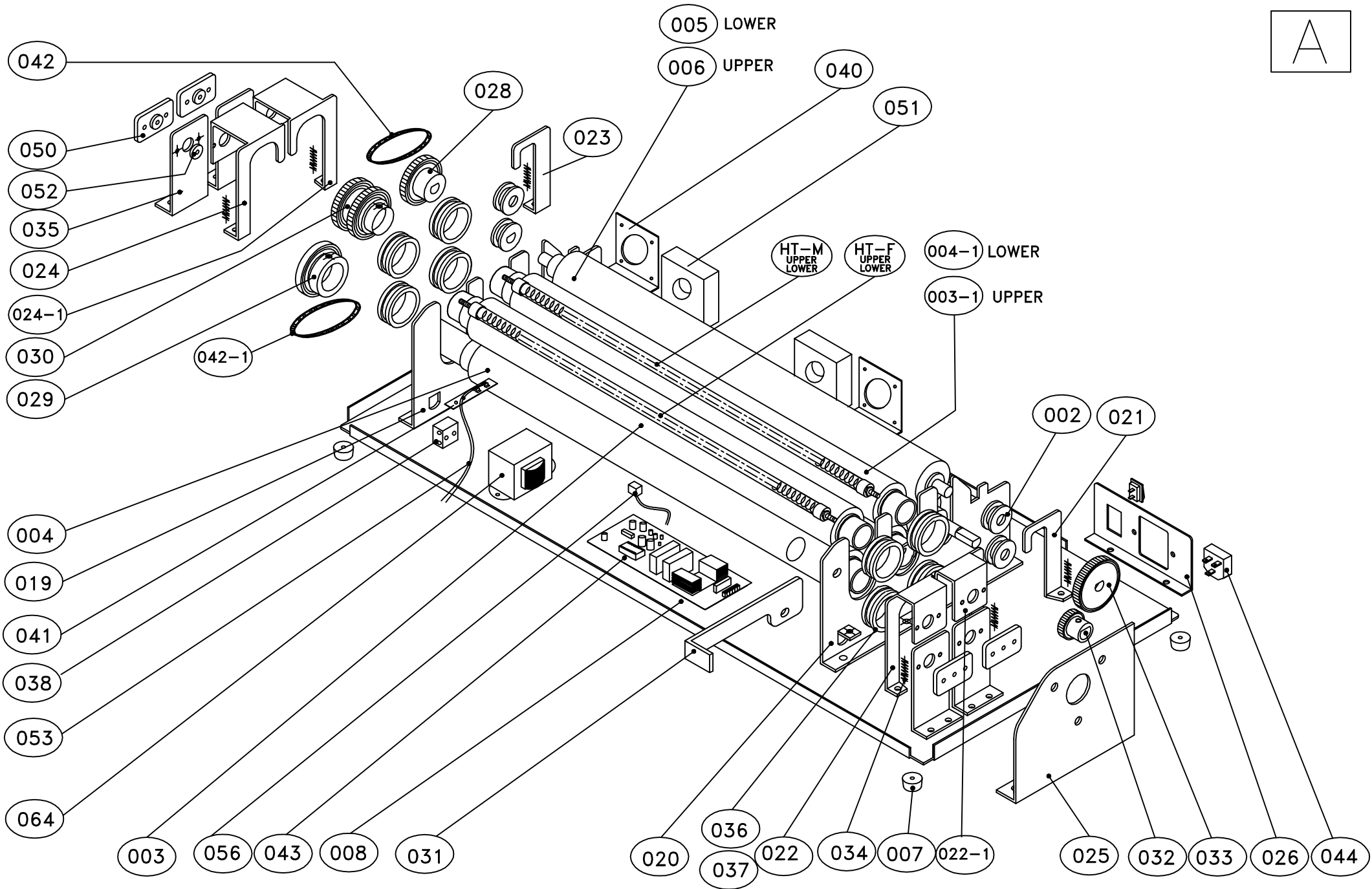


TCC-6000 LAMINATOR PARTS MANUAL

DRAWING NO.	PART NO	DESCRIPTION	DRAWING NO.	PART NO	DESCRIPTION	DRAWING NO.	PART NO	DESCRIPTION	DRAWING NO.	PART NO	DESCRIPTION
001	3H1-B1	CONTROL PANEL	024-1	3H2-D14-2	HOOK PLATE (MIDDLE)	043-1	3H1-P3-1	PCB-B	055	3LM-P8	POWER S.W
001-1	3H1-B1-1	NAME PLATE	025	3H1-D15A	MOTOR RACK	043-2	3H1-P3-2	WIRE HARNESS CABLE	056	3H1-P14	3055
002	3LM-B3	BUSH	026	3H1-D16	SWITCH RACK	044	SC-9F-21	SOCKET	057	D266A	LINE A
003	3H1-B5	FRONT ROLLER (UPPER)	027	3H1-D17	HEAT-RESIST PLATE	046	3H1-P6	DC MOTOR	058	D266E	LINE E
003-1	3H1-B5	MIDDLE ROLLER (UPPER)	028	3H2-D19	CHAIN GEAR	HT-F	3H1-PF	HEATER SET	059	D266G	LINE G
004	3H1-B6	FRONT ROLLER (LOWER)	029	3H2-D19-1	CHAIN GEAR		3H1-P8	QUARTZ TUBE	060	D266H	LINE H
004-1	3H1-B6	MIDDLE ROLLER (LOWER)	030	3H2-D19-2	CHAIN GEAR		3H1-P8-1	QUARTZ TUBE CAP	061	D266I	LINE I
005	3H1-B7	REAR ROLLER (LOWER)	031	3H2-D20	RACK		3H1-P8-2A	HEATER	062	D266J	LINE J
006	3H1-B8	REAR ROLLER (UPPER)	032	3H1-D21	SMALL GEAR		3H1-P8-3A	FIXED SCREW	063	D266F	LINE F
007	B-9	FOOT PAD	033	3H1-D22	BIG GEAR		3H1-P8-3B	FIXED SCREW	064	3H1-P15	TRANSFORMER
008	3H2-D1	BASE BOARD	034	3LM-D24	SPRING	HT-M	3H1-PM	HEATER SET	065	D265 TCC6000	MOTOR S.W
009	3H1-D4A	TOP COVER	035	3H1-D27	FIXED PLATE		3H1-P8	QUARTZ TUBE			
017	3H1-D9	REAR PLATE	036	3H1-D28	Cu BUSH		3H1-P8-1	QUARTZ TUBE CAP			
018	3H1-D10	PRESSURE PLATE	037	3H1-D29	BUSH		3H1-P8-2AA	HEATER			
019	3H2-D11A	BRACKET<LEFT>	038	3H1-D30	THERMO SET		3H1-P8-3A	FIXED SCREW			
020	3H2-D12	BRACKET<RIGHT>	039	3H1-D31	PANEL RACK		3H1-P8-3B	FIXED SCREW			
021	3H1-D13	HOOK PLATE (BACK)	040	3H1-D32	FAN RACK	050	3H1-P9	SILICON PAD			
022	3H1-D13-1	HOOK PLATE (FRONT)	041	3H1-D33	THERMO PLATE	051	3H1-P10	FAN			
022-1	3H2-D13-2	HOOK PLATE (MIDDLE)	042	3H1-D34	CHAIN	052	3H1-P11	BAKELITE SHEET			
023	3H1-D14	HOOK PLATE (BACK)	042-1	3H1-D34-1	CHAIN	053	3H1-P12	SENSOR WIRE			
024	3H1-D14-1	HOOK PLATE (FRONT)	043	3H1-P3-A	PCB-A	054	3H1-P13	CUT-OFF FUSE			

January.2021 A02



B

