

the phoenix[™]
2700-DH

SERVICE MANUAL Phoenix 2700 DH



Table of Contents

	Page
1. Parts List	3-6
2. Exploded Drawings	
View 1 - Cross Members.....	7
View 2 - Supply Shaft Assembly.....	8
View 3 - Left Side Components.....	9
View 4 - Right Side Components.....	10
View 5 - Heat Sensor Assembly.....	11
View 6 - Rear Electrical Panel	12
View 7 - Feed Tray.....	13
View 8 - Stands.....	14
View 9 - Footage Counter.....	15
3. Wiring Diagrams	
Version 1.....	16
Version 2.....	17

CORRESPONDENCE:

Graphic Finishing Partners, LLC
109 Millwell Ct.
Maryland Heights, MO. 63043
800-325-3628
sales@gfpartnersllc.com

SERVICE PARTS:

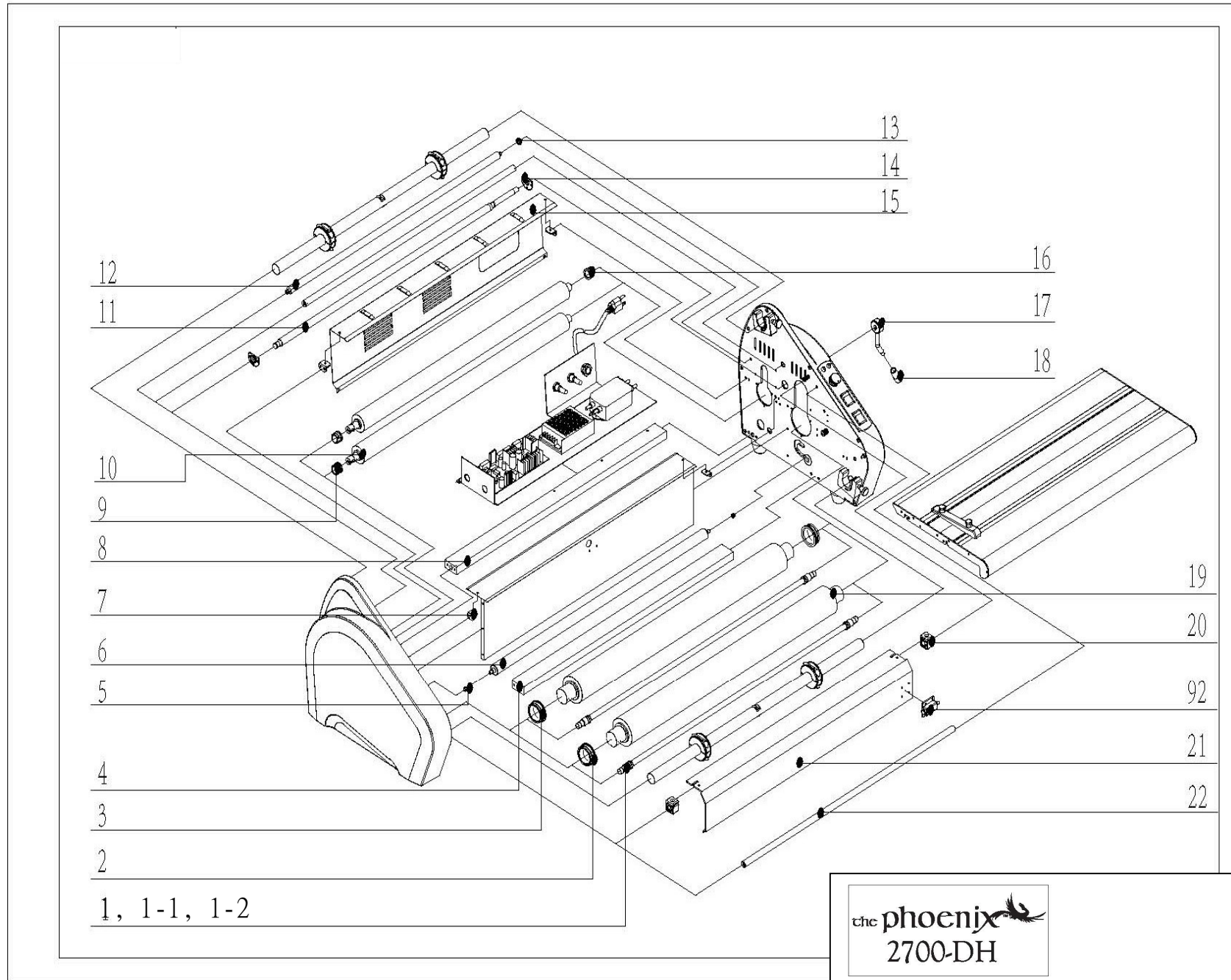
Midwest Distribution Center
13878 Parks Steed Drive
Earth City, MO. 63045
800-325-3628

DRAWING NUMBER	PART NUMBER	DESCRIPTION	VIEW NUMBER	STOCK ITEM
1	27DH-001	Quartz tube	1	Yes
1-1	27DH-001-01	Porcelain Cap	1	
1-2	27DH-001-02	Porcelain Sleeve	1	
2	27DH-002	Front lower rubber roller bearing	1	Yes
3	27DH-003	Front upper rubber roller bearing	1	Yes
4	27DH-004	Front support beam	1	
5	27DH-005	Composite bearing SF-1F0708	1	
6	27DH-006	Lower guide roller	1	
7	27DH-007	Connecting plate	1	
8	27DH-008	Rear support beam	1	
9	27DH-009	Rear lower rubber roller bearing	1	Yes
10	27DH-010	Rear rubber roller	1	Yes
11	27DH-011	Pressure regulating shaft	1	
12	27DH-012	Upper guide roller	1	
13	27DH-013	Guide roller shaft sleeve	1	
14	27DH-014	Pressure regulating shaft seat	1	
15	27DH-015	Rear panel	1	
16	27DH-016	Rear upper rubber roller bearing	1	Yes
17	27DH-099	Handle lever	1	Yes
18	27DH-018	Long handle sleeve	1	Yes
19	27DH-019	Front rubber roller	1	Yes
20	27DH-020	Protective cover connecting plate	1	Yes
21	27DH-021	Front protective cover	1	Yes
22	27DH-022	Upper support shaft	1	
23	27DH-023	Feed roller support plate	2	Yes
24	27DH-024	Feed roller	2	Yes
25	27DH-025	Feed roller support sleeve (2)	2	Yes
26	27DH-026	Feed roller support plate (2)	2	Yes
27	27DH-027	Front rubber roller sprocket	3	Yes
28	27DH-028	Chain	3	Yes
29	27DH-029	Left Cabinet	3	Yes
30	27DH-030	Electric motor sprocket	3	Yes
31	27DH-031	Rear rubber roller sprocket	3	

DRAWING NUMBER	PART NUMBER	DESCRIPTION	VIEW NUMBER	STOCK ITEM
32	27DH-032	Cam	3	
33	27DH-033	Guide pin 1	3	
34	27DH-034	Guide pin 2	3	Yes
35	27DH-035	Left lower pressing plate	3	Yes
36	27DH-036	Rear upper pressing plate	3	
37	27DH-037	Spacer of pressing plate	3	
38	27DH-038	Rubber roller pressure spring (before 450)	3	
39	27DH-039	Front upper pressure plate	3	
40	27DH-040	Guide roller bearing seat	3	
41	27DH-041	Left supporting plate	3	
42	27DH-042	Locating pin spring	3	
43	27DH-043	Connecting block locating pin	3	
44	27DH-044	Electric motor	3	
45	27DH-045	Rubber sleeve fixing pin	3	Yes
46	27DH-046	Front panel rubber sleeve	3	Yes
47	27DH-047	Front panel locating pin	3	Yes
48	27DH-048	Feed roller left support	3	
49	27DH-049	Damp regulating handle	3	
50	27DH-050	Rubber feet	3	
51	27DH-051	Quartz tube lower support	3	
52	27DH-052	Flat angle restorable thermal protector	3	Yes
53	27DH-053	Quartz tube upper support	3	
54	27DH-054	Quartz tube rubber pad	3	
55	27DH-055	Bearing seat 2	4	
56	27DH-056	Feed roller right support	4	
57	27DH-057	Right supporting plate	4	
58	27DH-058	M12 cover-shape nut	4	
59	27DH-059	Pin bead spring	4	
60	27DH-060	Baffle	4	
61	27DH-061	Bearing seat 4	4	
62	27DH-062	Right lower pressing plate	4	Yes
63	27DH-063	Right Cabinet	4	Yes

DRAWING NUMBER	PART NUMBER	DESCRIPTION	VIEW NUMBER	STOCK ITEM
64	27DH-064	Lamp holder	4	
65	27DH-065	LED (blue)	4	
66	27DH-066	LED (green)	4	
67	27DH-067	Knob	4	
68	27DH-068	Ship-type switch (single reset)	4	
69	27DH-069	Ship-type switch (single-blade 3-location)	4	Yes
70	27DH-070	Panel	4	Yes
71	27DH-071	Potentiometer	4	Yes
72	27DH-072	Lower guide roller bearing seat	4	Yes
73	27DH-073	Sensor support	5	Yes
74	27DH-098	Sensor kits	5	Yes
75	27DH-075	Diaphragm	5	Yes
76	27DH-076	Switch power supply	6	
77	27DH-097	Main board (Replaces 27DH-077)	6	Yes
78	27DH-078	Chip PCB	6	
79	27DH-079	Electric mounting plate assembly	6	
80	27DH-080	Fuse holder	6	Yes
81	27DH-081	Fuse tube	6	
82	27DH-082	Fuse tube	6	Yes
83	27DH-083	American 3-line power supply cable	6	Yes
84	27DH-084	Wire grip	6	Yes
85	27DH-085	Filter	6	
86	27DH-086	Locating plate fastening nut	7	
87	27DH-087	Locating plate	7	Yes
88	27DH-088	Locating plate fastening screw	7	Yes
89	27DH0-89	Front work panel (1)	7	
90	27DH-090	Front work panel (2)	7	
91	27DH-091	Front panel connecting plate	7	Yes
92	27DH-092	Safety Shield Actuator Pin	1	Yes
93	27DH-093	Safety shield switch kits	Not shown	Yes
94	27DH-094	Feed table safety switch kits	Not shown	Yes
95	27DH-095	Micro switch bracket	4	Yes

DRAWING NUMBER	PART NUMBER	DESCRIPTION	VIEW NUMBER	STOCK ITEM
96	27DH-096	Feed Table Actuator Pin (old style)	7	Yes
97	27DH-111	Material roller support (cradle)	3,4	Yes
98	27DH-101	Feed Table Actuator Pin (new style)	7	
99	27DH-099	Left supporter of stand	8	
100	27DH-100	Support tube	8	
101	27DH-101	Right supporter of stand	8	
102	27DH-102	Anti-tip brackets	8	
103	27DH-103	Left supporter of stand	8	
104	27DH-104	Right supporter of stand	8	
105	27DH-105	Left bracket	9	
106	27DH-106	Pedestal of footage counter	9	
107	27DH-107	Sliding sleeve	9	
108	27DH-108	Footage counter	9	
109	27DH-109	Support shaft	9	
110	27DH-110	Right bracket	9	
111	27DHP-026	Castor	8	
112	27DHP-025	Castor w/Brake	8	



the phoenix
2700-DH

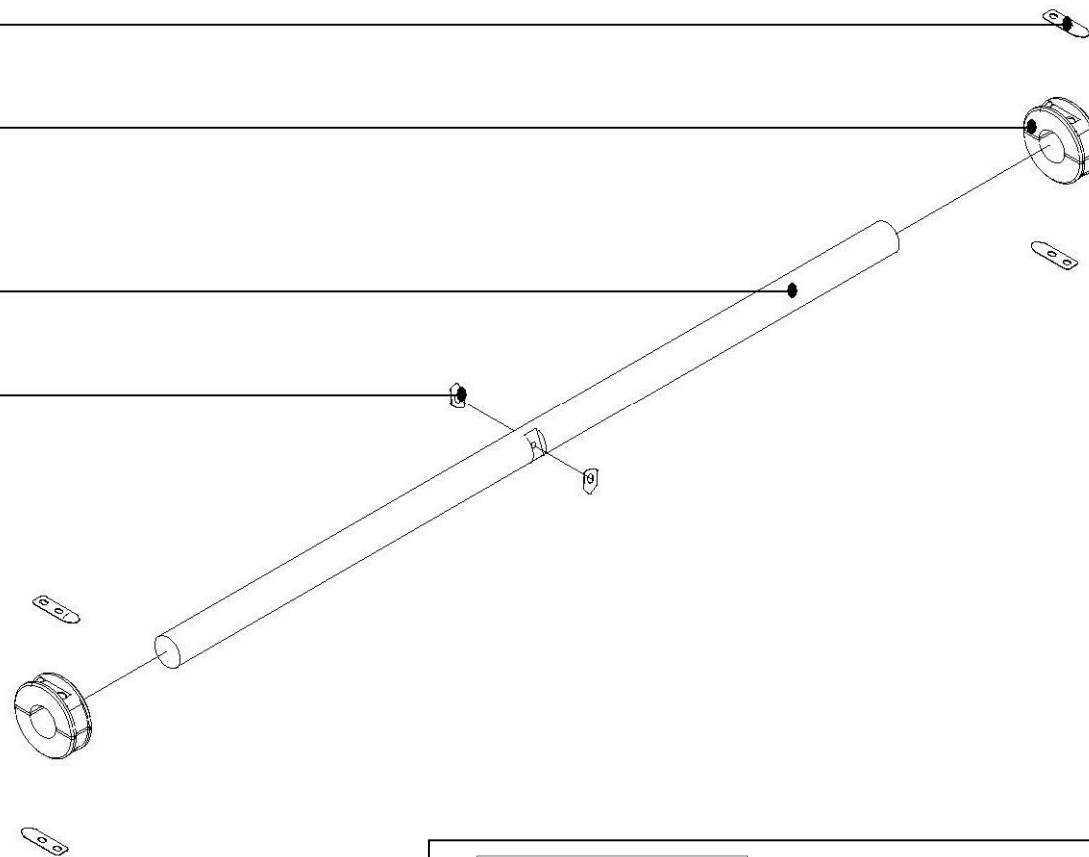
View 1- Cross Members, Rollers, Heaters

26

25

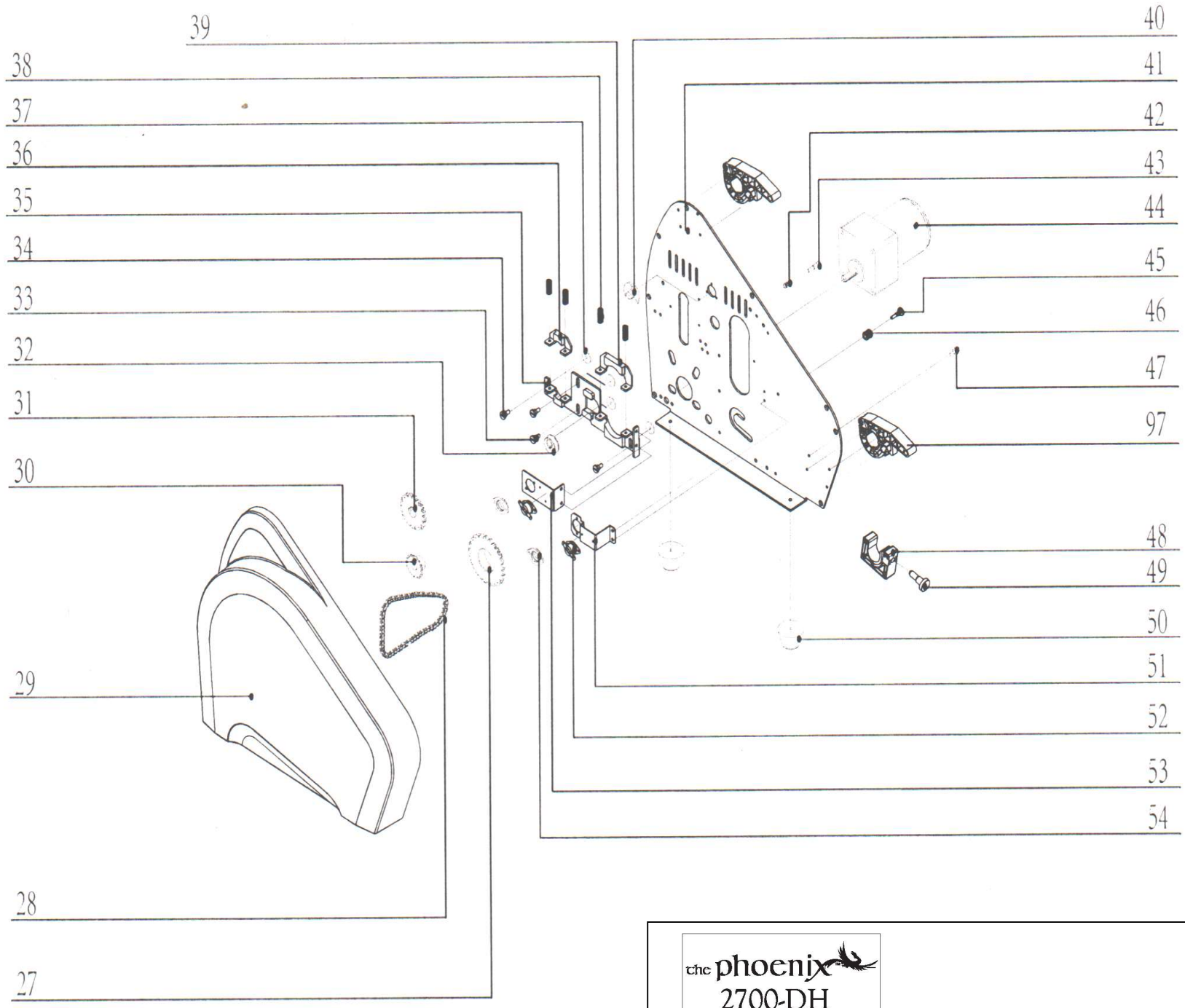
24


23

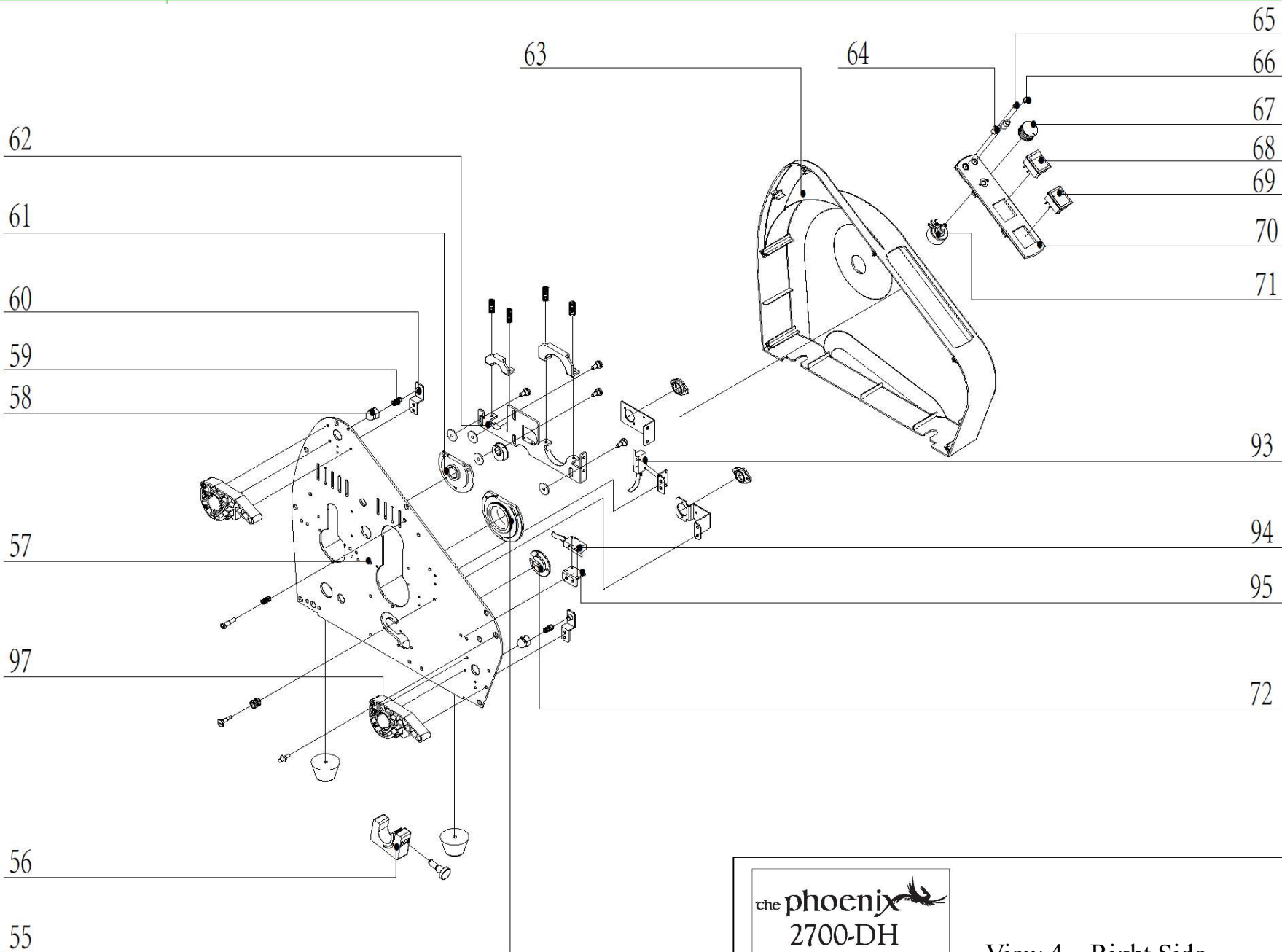


the phoenix 
2700-DH

View 2 – Supply Shaft




View 3 – Left Side



62

61

60

59

58

57

97

56

55

63

64

65

66

67

68

69

70

71

93

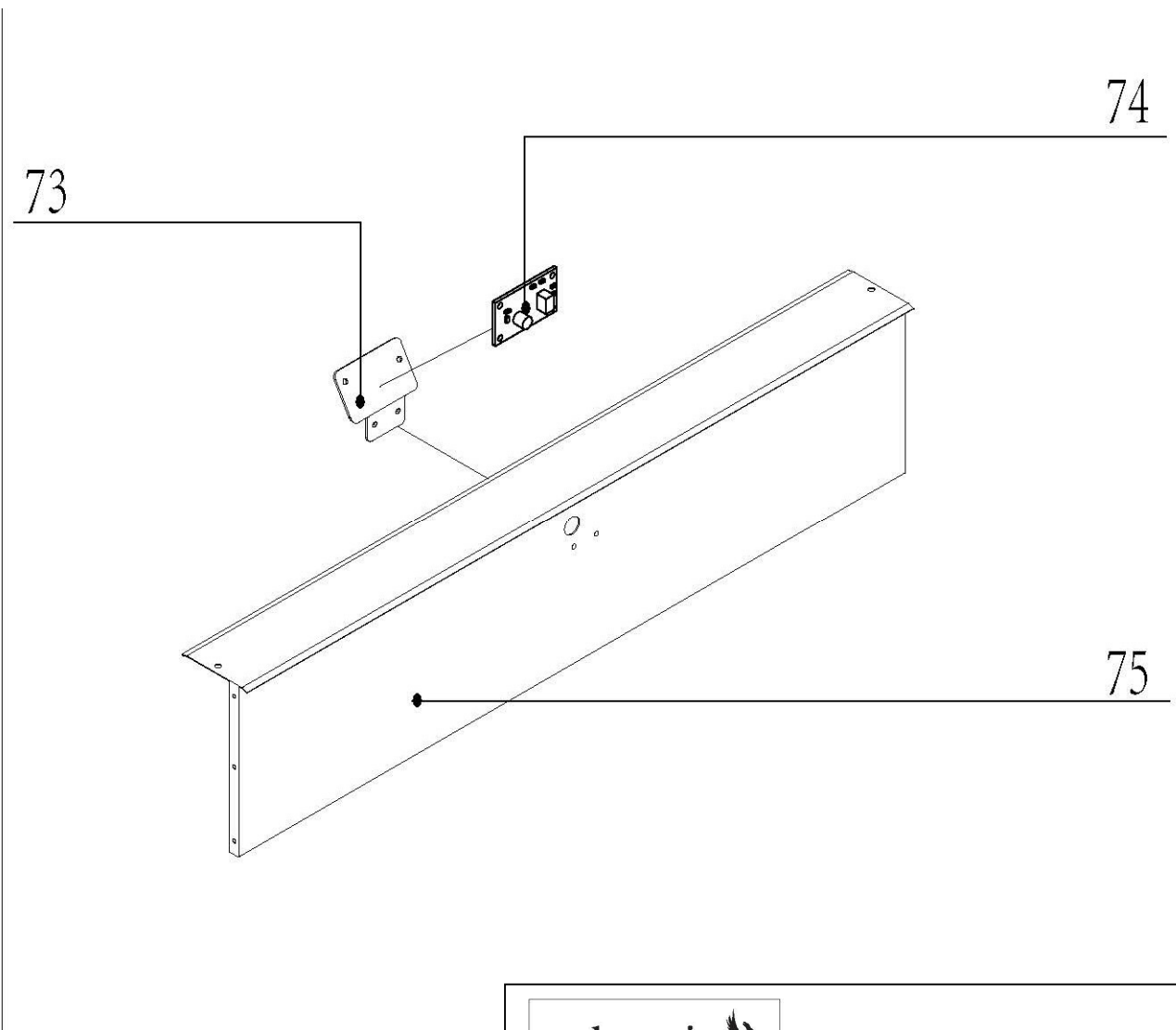
94

95

72

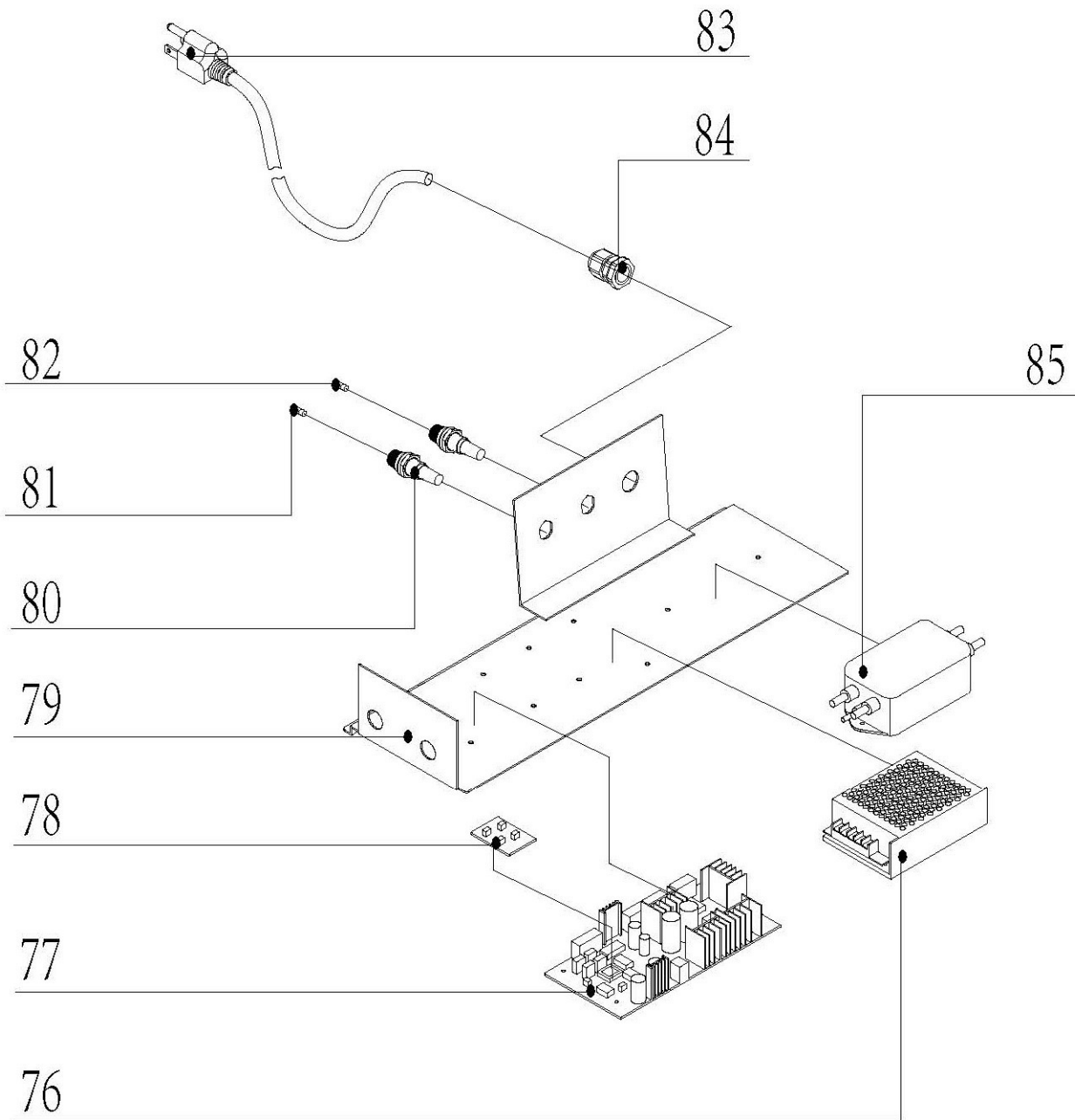
the phoenix
2700-DH

View 4 – Right Side



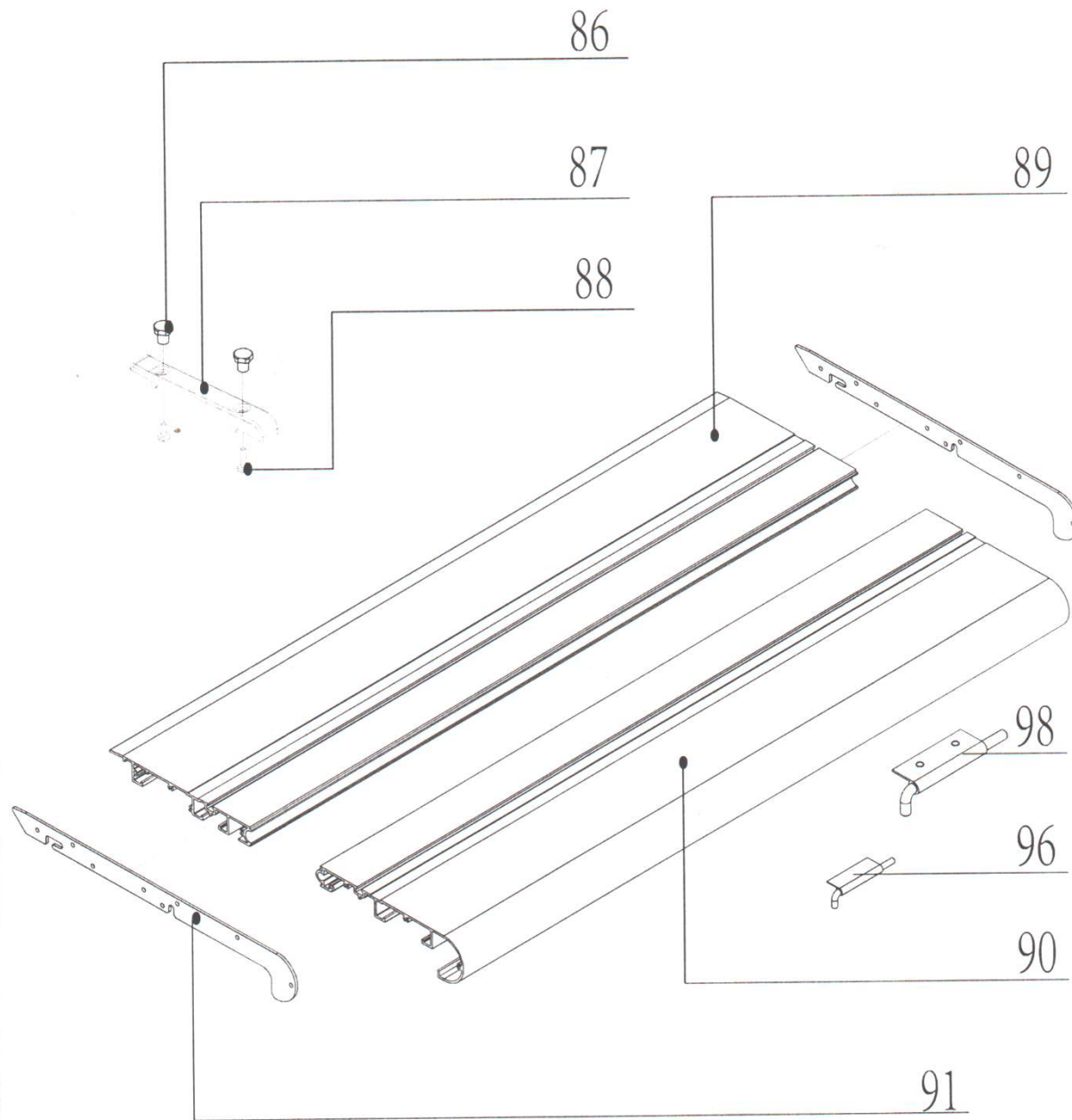
the phoenix
2700-DH

View 5 – Heat Sensor



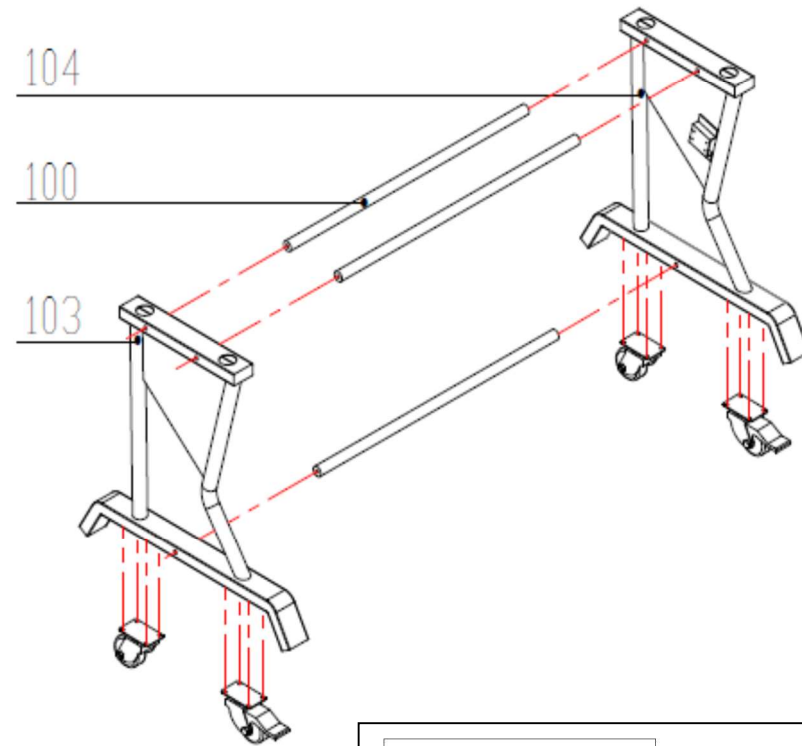
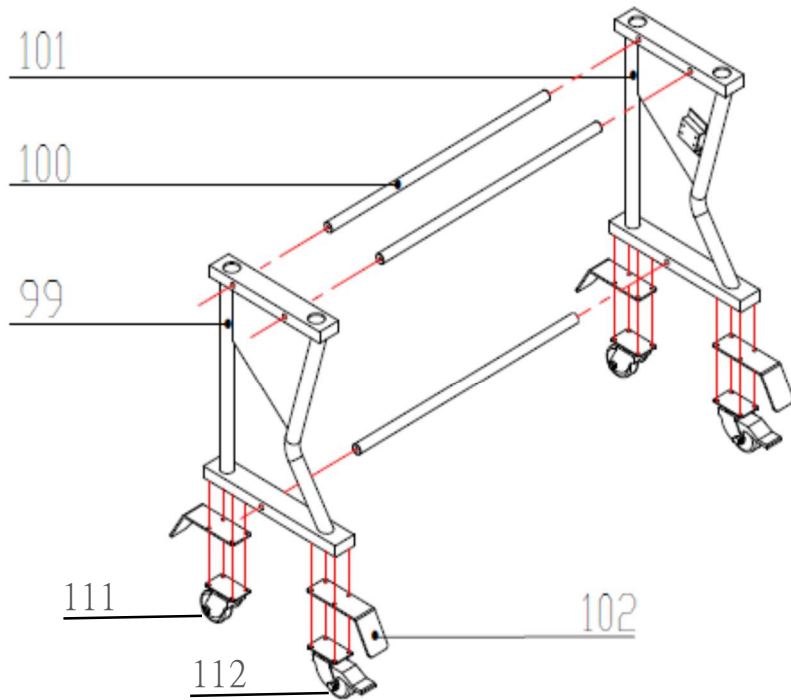
the phoenix
2700-DH

View 6 – Electrical Panel

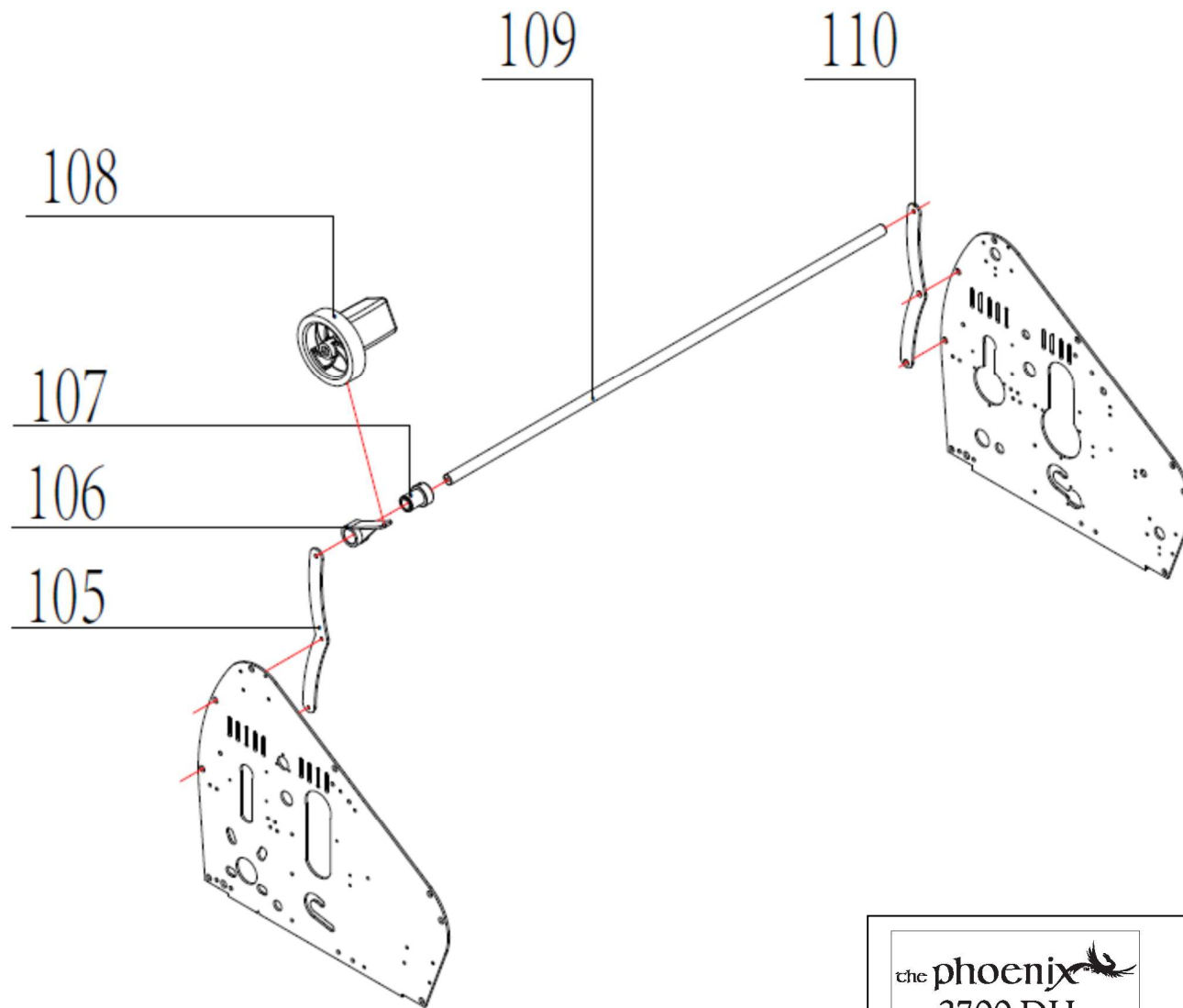


the phoenix
2700-DH

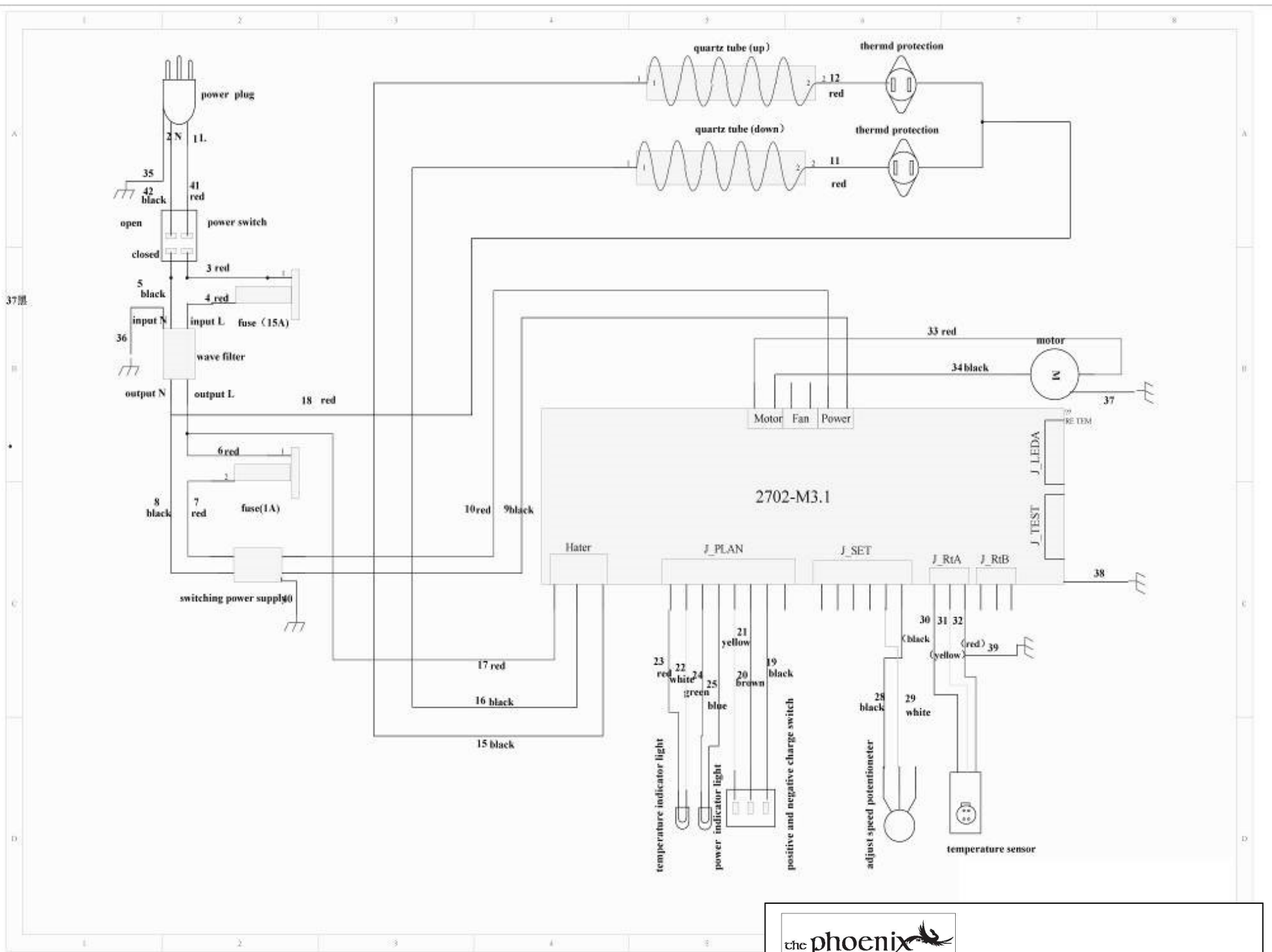
View 7 – Feed Tray

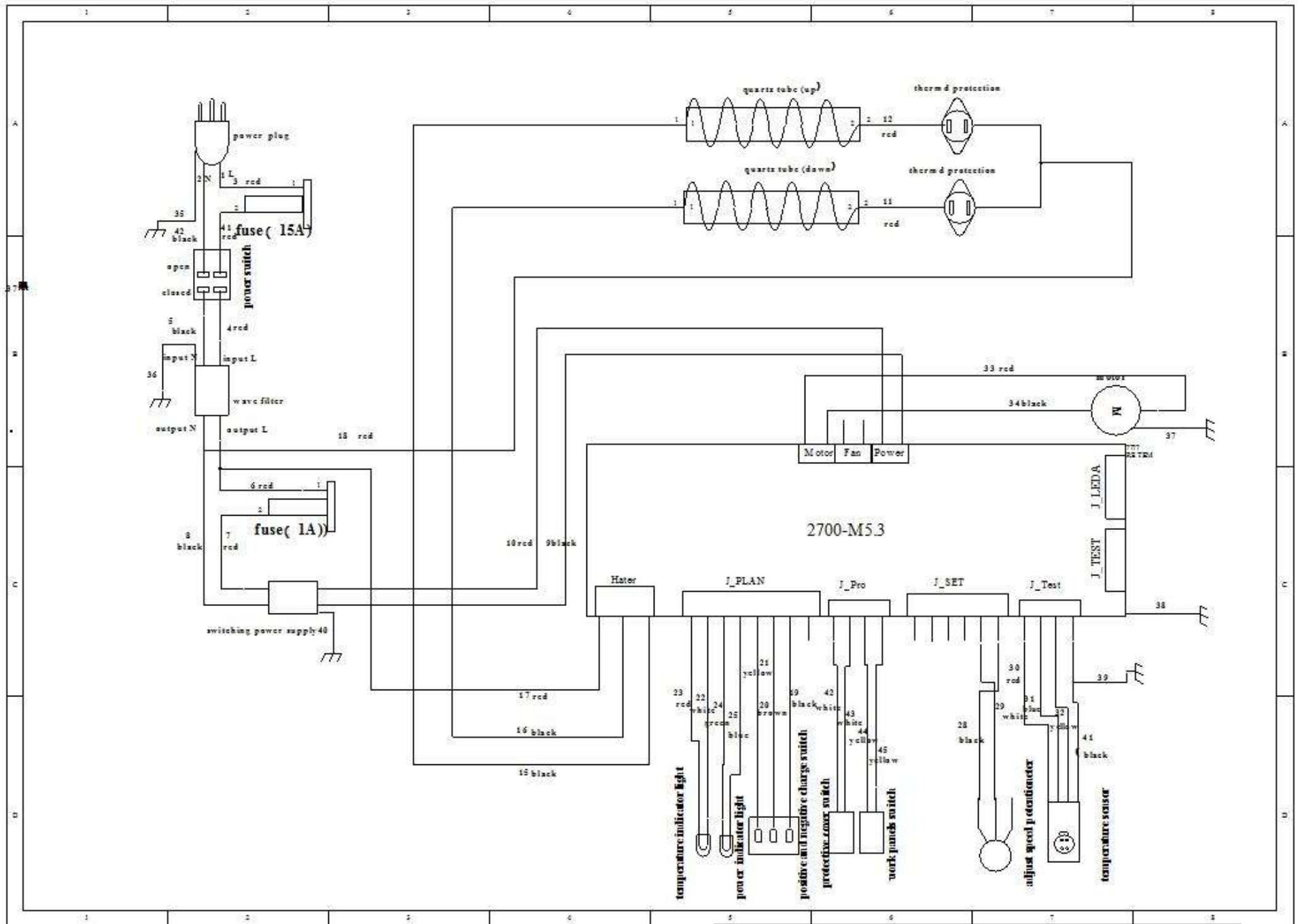


 <p>the phoenix 2700-DH</p>	View 8 – Stands
--	-----------------



<p>the phoenix 2700-DH</p>	<p>View 9 – Footage Counter</p>
--------------------------------	---------------------------------





Wiring Diagram Version 2