

# 65 ProMD

**High Production Laminator,  
Encapsulator, and Mounter**



**User Manual**

7003338 rev B, October 2017

## English

All rights reserved

All information included in this manual as well as information included in supplements or addendum to this manual is subject to copyright law. This information shall not be used, copied, reproduced, transmitted or disclosed to third parties without our prior written consent.

SEAL® assumes no responsibility for any errors that may appear in this document nor does it make expressed or implied warranty of any kind with regard to this material, including, but not limited to, the implied warranties of merchantability and fitness for a particular purpose.

SEAL® shall not be liable for incidental or consequential damages in connection with, or arising out of the furnishing, performance, or use of this document and the program material which it describes.

## Français

Tous droits réservés.

Toutes les informations contenues dans ce manuel ainsi que celles des suppléments ou ajouts à ce manuel sont soumis aux lois sur le copyright. Ces informations ne doivent pas être utilisées, copiées, reproduites, transmises ou divulguées à des tiers dans notre autorisation préalable par écrit.

SEAL® n'accepte aucune responsabilité pour toute erreur pouvant apparaître dans ce document et ne donne aucune garantie tacite ou expresse eu égard à ce matériel, y compris mais sans s'y limiter, à toute garantie tacite de qualité marchande ou d'adaptabilité à un usage particulier.

SEAL® n'est pas responsable des dommages accessoires ou indirectes liés à ou découlant de la diffusion, performance ou l'utilisation de ce document et du matériel décrit.

## Deutsch

Alle Rechte vorbehalten.

Alle Informationen in diesem Handbuch sowie Informationen in Ergänzungen oder Zusätzen zu diesem Handbuch unterliegen dem Urheberrechtsgesetz. Die Informationen dürfen ohne unsere Genehmigung nicht verwendet, kopiert, wiedergegeben, übertragen oder an Dritte weitergegeben werden.

SEAL® haftet nicht für Fehler, die in diesem Dokument auftreten können, noch übernimmt SEAL® keinerlei ausdrückliche oder implizite Garantie in Bezug auf dieses Material, einschließlich, jedoch nicht begrenzt auf die implizierte Garantie der Marktgängigkeit und Eignung für einen bestimmten Zweck.

SEAL® haftet nicht für auftretende oder Folgeschäden in Verbindung mit oder entstehend aus der Ausstattung, Leistung oder Benutzung dieses Dokuments und des Programmmaterials, das es beschreibt.

## Español

Reservados todos los derechos.

Toda la información incluida en este manual y en los suplementos a anexos de este manual están sujetas a las leyes de derechos de autor. Queda prohibida la utilización, copia, reproducción, transmisión o divulgación de esta información a terceros sin nuestro consentimiento previo por escrito.

SEAL® no se hace responsable de los errores que pudieran aparecer en este documento ni tampoco ofrece garantía implícita o explícita de ningún tipo en relación con el material descrito, incluyendo, aunque sin que ello constituya un límite, las garantías implícitas de comercialización e idoneidad para una finalidad concreta.

SEAL® no responderá de los daños imprevistos o emergentes relacionados con, o que puedan surgir del suministro, funcionamiento o el uso de este documento y del material de programa que describe.

## Italiano

Tutti i diritti riservati.

Tutte le informazioni di questo manuale, nonché quelle dei supplementi o integrazioni a questo manuale sono soggette ai diritti d'autore (copyright) Queste informazioni non possono essere usate, copiate, riprodotte, trasmesse o comunicate a terze parti senza il nostro previo consenso scritto.

SEAL® non si assume alcuna responsabilità per eventuali errori che possono comparire nel presente documento, né offre garanzia esplicita o implicita di alcun tipo in relazione a detto materiale, comprese, ma non limitatamente a, garanzie implicite di commerciabilità e adeguatezza per un particolare scopo.

SEAL® non sarà responsabile per danni accidentali o indiretti relativi a, o derivanti dalla fornitura, dalle prestazioni, o dall'utilizzo del documento e dal materiale relativo al programma descritti.

FCC Part 15B, Class A:

This device complies with Part 15 of the FCC Rules. Operation is subject to the following two conditions: (1) This device may not cause harmful interference. (2) This device must accept any interference received, including interference that may cause undesired operation.

Cet appareil est conforme à la partie 15 des règles de la FCC. L'opération est soumise aux deux conditions suivantes : (1) Cet appareil ne doit pas causer d'interférences nuisibles. (2) Cet appareil doit accepter toute interférence reçue, y compris les interférences qui peuvent causer un fonctionnement indésirable.

CAN ICES-3 (A)/NMB-3(A)



# INTRODUCTION

Thank you for purchasing your SEAL 65 Pro MD.

Many months of design and engineering have been invested in the creation of this laminator in order to give you years of reliable service.

As you become familiar with your machine, you will appreciate the high quality output and the excellence in its ease of use.

The machine described in this manual is a multi-functional machine that can perform the following processes:

- High-quality lamination
- Panel mounting of images
- Decaling
- Encapsulating images

Numerous laminating products are available under the SEAL brand, each with their own application and processing specifications. This manual gives a general description of the various processes. Additional details on film choice and application solutions can be found in the ACCO Brands Price Book or at [www.sealgraphics.com](http://www.sealgraphics.com).

On this machine the process results can be controlled by:

- Temperature setting (for upper and lower roller separately)
- Speed setting
- Main roll pressure setting
- Unwind tension of the film(s)
- Use of pull rollers
- Pull roll pressure
- Pull roll tension
- Use of chill idlers
- Use of chill fans

# THIS MANUAL

This manual is intended for the user of the SEAL 65 Pro MD. Read this manual carefully before starting the machine.

This manual contains important information for correct installation, operation and maintenance of the machine.

It also contains important instructions to prevent accidents, personal injury and/or serious damage prior to or during operation of the machine.

Familiarize yourself thoroughly with the functioning and operation of this machine and strictly observe the directions given.

If you have any questions or need further details on specific aspects related to this machine, please do not hesitate to contact our Technical Service Department at 1-800-486-6502.

**Chapter 1** will provide you with a summary of the manufacturer's warranty information. It also describes the safety features installed on the machine and gives a number of safety instruction and warnings. **Read this chapter carefully.**

**Chapter 2** specifies the machine, machine dimensions and the dimensions of the materials to be used on this machine.

**Chapter 3** guides you through the installation of the machine. This chapter also provides information for moving, transport and decommissioning of the machine.

**Chapter 4** provides a general description of the machine and of the process principles to help first time users to find their way on this machine.

**Chapter 5** guides you through the operation in various processes to develop basic knowledge of the machine.

**Chapter 6** provides maintenance procedures for long time efficient and trouble free operation of the machine. The trouble shooting section gives a number of suggestions in case the results are not up to expectation.

**Chapter 7** is the glossary and explains a number of terms used in this manual.

# TABLE OF CONTENTS

<b>1. Warranty and Safety instructions</b>	<b>1</b>
1.1. <b>Warranty</b>	<b>1</b>
1.1.1. Warranty conditions	1
1.1.2 Warranty period	1
1.2. <b>Safety</b>	<b>2</b>
1.2.1 Safety features	2
1.2.2 Safety instructions	3
1.3. <b>Warnings</b>	<b>3</b>
1.3.1 General ESD-warning	3
1.3.2 In this manual	3
1.3.3 On the machine	4
<b>2. Specifications</b>	<b>5</b>
2.1. <b>Identification</b>	<b>5</b>
2.2. <b>Machine specifications</b>	<b>6</b>
<b>3. Installation</b>	<b>7</b>
3.1. <b>Unpacking</b>	<b>7</b>
3.2. <b>Installation</b>	<b>10</b>
3.3. <b>Transport</b>	<b>11</b>
<b>4. Description</b>	<b>12</b>
4.1. <b>General description</b>	<b>12</b>
4.2. <b>Parts identification</b>	<b>13</b>
<b>5. Machine Operation</b>	<b>14</b>
5.1. <b>Machine controls</b>	<b>14</b>
5.1.1 Easy Operator Interface™ (EOI)	14
5.1.2 Additional controls	25
5.2. <b>Operating modes</b>	<b>28</b>
5.2.1 Normal mode	28
5.2.1. Reverse mode	28
5.2.2. Slow mode	28
5.3. <b>Process principle</b>	<b>29</b>
5.4. <b>Loading film rolls</b>	<b>30</b>
5.4.1. Auto-grip shafts	30
5.4.2. Use of films with release liner	31

5.4.3.	Loading shaft with film rolls	31
5.4.4.	Presetting the tension	32
5.4.5.	Pressure setting	32
<b>5.5.</b>	<b>Webbing</b>	<b>33</b>
5.5.1.	Upper section only	33
5.5.2.	Upper and lower section	33
5.5.3.	Webbing both upper and lower films.	33
5.5.4.	Roll to roll	34
5.5.5.	Single sided lamination;	34
5.5.6.	Double sided lamination:	35
5.5.7.	Unloading	35
5.5.8.	Pull rollers	35
<b>5.6.</b>	<b>Processes and settings</b>	<b>35</b>
5.6.1.	Mounting images or decals	35
5.6.2.	Pre-coating panels	37
5.6.3.	Single-sided lamination	37
5.6.4.	Double-sided lamination	37
5.6.5.	Encapsulation	38
5.6.6.	Over-lamination	38
5.6.7.	Decaling	38
<b>6.</b>	<b>Maintenance</b>	<b>42</b>
<b>6.1.</b>	<b>Cleaning</b>	<b>42</b>
6.1.1.	Cleaning the silicone covered rollers.	42
<b>6.2.</b>	<b>Preventative maintenance</b>	<b>43</b>
6.2.1.	Auto-grip shafts	43
<b>6.3.</b>	<b>Troubleshooting</b>	<b>43</b>
6.3.1.	Pressure too high.	43
6.3.2.	Pressure too low.	44
6.3.3.	Unwind tension too low.	44
6.3.4.	Pull tension too low.	44
6.3.5.	Too much heat in the final result.	45
6.3.6.	Roller alignment fault.	45
6.3.7.	Material rolls are jumping.	45
6.3.8.	Machine operation issues	46
6.3.9.	Technical assistance	46
<b>7.</b>	<b>Glossary</b>	<b>47</b>



# 1. Warranty and Safety instructions

## 1.1. Warranty

The warranty period and conditions stated in this chapter are merely a summary of the general SEAL brand laminator warranty conditions.

For the exact details on the warranty period and conditions for your machine, please contact ACCO Brands Technical Support or your reseller.

### 1.1.1. Warranty conditions

The manufacturer warrants to the original end user\* that the machine when proven defective in materials or workmanship, within the applicable warranty period will be repaired, or (at our option) replaced without charge.

**Note:**

The main rollers and pull rollers are subject to normal wear and tear and therefore have warranty on material defects only.

The manufacturer or its representative shall not be liable for any damage caused by the machine nor loss of productivity.

**Warranty is voided when:**

- Changes or modifications are made to this machine, not explicitly approved by the manufacturer .
- The machine is changed or modified by unauthorized persons.
- The machine is used under other than normal working conditions.
- The machine is used for purposes other than intended for (see page 3).

\* The original end user is the person that first purchased the machine from the manufacturer or its representative.

### 1.1.2 Warranty period

The standard warranty period on this machine is one year parts and 6 months labor from the date of purchase.

The main rollers and pull rollers have a warranty period of 6 months on material defects only.

**The warranty ends when:**

- The periods stated above have expired.
- The machine changes possession.
- Warranty is voided by any of the conditions mentioned above.

## 1.2. Safety

This machine is provided with safety equipment to promote safe machine operation.

The manufacturer has done everything possible to prevent any possible danger and to inform you as accurately and comprehensively as possible of any hazards relating to the operation of the machine.

You should nevertheless proceed with caution when operating the machine.

Read the safety instructions below and familiarize yourself with the warning symbols summarized in the Warnings section.

### 1.2.1 Safety features

#### 1.2.1.1. Emergency stops

The machine has four (4) Emergency Stops. When activated the machine will come to a complete stop and the power to the motor controller is switched off. The Emergency Stops must be disengaged before a restart is possible.

#### 1.2.1.2. Optical safety devices

The machine has an optical safety device (photo eye) at the input and output side of the nip at the main rollers. This device performs a check of the operation between transmitter and receiver.

When an error is detected (e.g. the signal is interrupted) the motor will stop and the motor controller will be disabled.

The stop signal from the optical device is overruled:

- On the photo eyes on the output side of each nip.
- When the footswitch is pressed.

#### 1.2.1.3. Safety footswitch

The safety footswitch is used as remote control to start and stop the machine in the normal and the slow mode.

The safety footswitch is protected with a safety cover to prevent accidental switching.



### **WARNING:**

**THE OPTICAL SAFETY DEVICE STOP SIGNAL IS DISABLED WHEN USING THE SAFETY FOOTSWITCH IN SLOW MODE. KEEP CLEAR OF THE NIP WHEN PRESSING THE FOOTSWITCH, WHILE SLOW MODE IS ACTIVE.**

#### 1.2.1.4. Slow mode

The slow mode is used when setting up the machine with new films or images.

In slow mode the machine is started with the footswitch and will then run at slow speed so that the operator has both hands free to position and feed new film or image correctly into the machine. Slow mode is automatically engaged if the photo eyes are blocked while the rollers are turning.

## 1.2.2 Safety instructions

### Work safely!

The owner of the machine is responsible for safe operation of the machine. He therefore is obliged to familiarize operating personnel with the contents of this manual and make them aware of all possible hazards.

**Do not change, remove or disable the safety facilities.**

## 1.3. Warnings

### 1.3.1 General ESD-warning



#### **WARNING:**

**DANGER OF ELECTRIC SHOCK BY ELECTROSTATIC DISCHARGE. PROCESSING FILMS THROUGH LAMINATING ROLLERS WILL CAUSE BUILD-UP OF ELECTROSTATIC CHARGES.**

An anti-static floor coating, wearing anti-static clothing and footwear, and controlling the room humidity can reduce the risk of ESD-shock.

### 1.3.2 In this manual

In this manual you will find three (3) levels of warnings.



#### **WARNING:**

**THE WARNING MESSAGE IS USED WHEN PERSONAL INJURY CAN OCCUR. FOLLOW THE INSTRUCTIONS CLOSELY.**

#### **CAUTION:**

**The caution message is used when there is danger of damage to the machine or materials.**

**Follow the instructions to prevent this damage.**

#### **Note:**

This message is used to give you useful information for easier operation, to prevent waste of material, etc.

### 1.3.3 On the machine

On the machine you will find the following warning symbols in black on a yellow background.

#### **HOT OBJECTS, OBJETS CHAUDS**



**DANGER OF GETTING BURN WOUNDS. MAKE SURE NOT TO TOUCH THE MAIN ROLLERS WHEN HEATED. DANGER DE BRULURES.**

**VEILLER A NE PAS TOUCHER LE CYLINDRE PRINCIPAL SUPÉRIEUR LORSQU'IL EST CHAUD.**

This symbol is placed on the inside side panel on both sides of the machine, just above the upper main roller, visible from the front and rear side, and on the image guide at the input side of the nip. *Présent uniquement sur le modèle, ce symbole est placé sur le panneau latéral intérieur des deux côtés de la machine, juste au-dessus du cylindre principal supérieur, visible de l'avant ainsi que de l'arrière. Il est également placé sur le guide d'images sur le côté d'entrée de la ligne de contact et sur la barre de sécurité de la ligne de contact en sortie.*

#### **ROTATING PARTS, PIÈCES EN ROTATION**



**DANGER OF GETTING INJURED BY ROTATING PARTS.**

**MAKE SURE THAT THESE ROTATING PARTS DO NOT CATCH YOUR FINGERS, CLOTHING, HAIR, ETC. DANGER DE BLESSURES PAR LES PIÈCES EN ROTATION. S'ASSURER QUE CES PIÈCES EN ROTATION NE RISQUENT PAS D'ATTRAPER LES DOIGTS, LES VÊTEMENTS, LES CHEVEUX, ETC.**

This symbol is placed on the cabinets just in front of each nip and on the image guide at the input side of the nip. *Ce symbole est apposé sur les bras de la table frontale et sur les armoires juste au-dessus de la table de sortie.*

#### **ESD SHOCK, DÉCHARGES ÉLECTROSTATIQUES**



**DANGER OF GETTING AN ELECTRIC SHOCK CAUSED BY ELECTROSTATIC CHARGE BUILD-UP IN THIS AREA. DANGER DE DECHARGE ELECTRIQUE PROVOQUEE PAR ACCUMULATION DE CHARGES ELECTROSTATIQUES DANS CETTE ZONE.**

This symbol is placed on those places where electrostatic charges can built up. The output side of the machine and the output material are most likely to build up charges. Therefore ESD-symbols are placed on the output nip and pull roller safety bars. They are also placed on the image guide at the input side of the nip. *Ce symbole est apposé sur les endroits où les charges électrostatiques peuvent s'accumuler. Les éléments de la machine proches de la ligne de contact et le produit en sortie sont les plus susceptibles d'accumuler des charges. Par conséquent, les symboles ESD sont disposés sur le guide d'image et sur les barres de sécurité de la ligne de contact de sortie.*

## 2. Specifications

### 2.1. Identification

The machine identification label is located at the bottom of the right-hand cabinet, on the rear side of the machine. This label indicates the model (version) and the rated power of the machine.

**!** **CAUTION: The power supply must be able to provide the rated power according to the electrical code requirements for the area of installation. Consult your local electrician for the power supply requirements.**

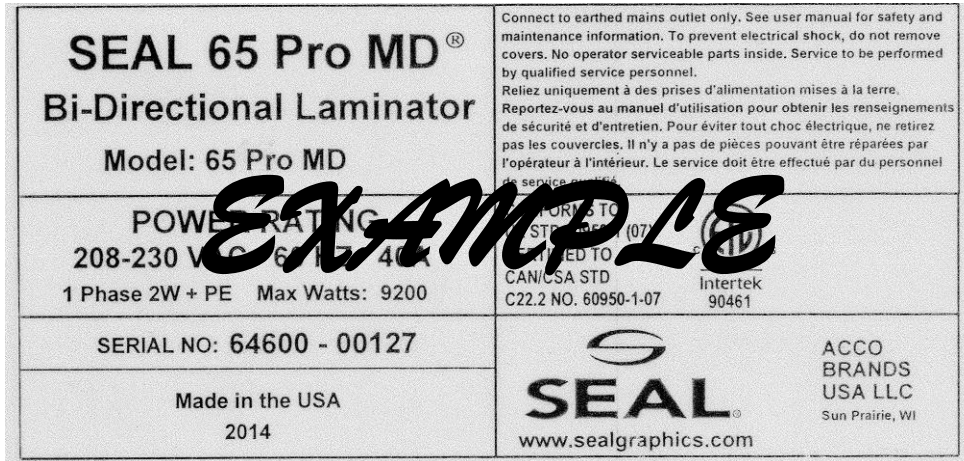


Figure 1: Machine identification label  
(Example only – refer to your machine for specific information).

#### Note:

This equipment has been tested and found to comply with the limits for a Class A digital device, pursuant to Part 15 of the FCC and ICES-3 Industry Canada Rules. These limits are designed to provide reasonable protection against harmful interference when the equipment is operated in a commercial environment. This equipment generates, uses, and can radiate radio frequency energy and, if not installed and used in accordance with the instruction manual, may cause harmful interference to radio communications. Operation of this equipment in a residential area is likely to cause harmful interference in which case the user will be required to correct the interference at his own expense.

Modifications: Any modifications made to this device that are not approved by ACCO Brands may void the authority granted by the user by the FCC and/or Industry Canada to operate this equipment.

#### Remarque :

Cet équipement a réussi le test des limites des dispositifs numériques de classe A, conformément à la partie 15 des règles FCC et ICES-3 d'Industrie Canada. Ces limites sont conçues de manière à garantir une protection raisonnable contre les interférences nuisibles lorsque l'équipement est utilisé dans un environnement commercial. Cet équipement crée, utilise et peut faire rayonner de l'énergie radiofréquence. S'il n'est pas installé et utilisé conformément au manuel de l'utilisateur, il risque de créer des interférences nuisibles pour les communications radio. Le fonctionnement de cet

équipement dans une zone résidentielle risque de provoquer des interférences nuisibles, auquel cas il incombera à l'utilisateur de corriger le problème à ses frais.

Modifications : Toutes les modifications apportées à cet appareil qui ne sont pas approuvées par ACCO Brands peuvent annuler l'autorisation accordée par l'utilisateur par la FCC et/ou Industrie Canada pour exploiter cet équipement.

## 2.2. Machine specifications

### Technical Specifications

	English	Metric
Max. Working Width	65" max	1651 mm max
Max. Speed	15 ft/min	4.25 m/min
Max. Substrate Thickness (Nip)	2"	50mm
Max. Roller Temperature	275F	135C
Roller Heating	Dual (Top/Bottom)	
Auto-grip Shafts		
Supply		4
Drop In		3
Maximum Roll Diameter		
Supply (4 positions)	12"	305mm
Take-up (2 positions)	8"	200mm
Combi+ (2 positions)	10"	254mm
Maximum Film Weight	120 lbs.	54 kg
Roll core inside diameter	3"	76.2mm
Max nip pressure	11 lb./in.	2 N/mm
Dimensions (w x h x d)		
Without roll trough	91" x 62" x 51"	2311 x 1575 x 1320mm
With roll trough	91" x 62" x 55"	2311 x 1575 x 1397mm
Shipping dimensions (w x h x d)	99" x 63.5" x 42.6"	2515 x 1613 x 1083mm
Weight		
Net Weight	1850 lbs.	839 kg
Shipping Weight	1955 lbs.	887 kg
Electrical Specifications		
US/Canada	208-230V, 50/60Hz, single phase, 50 amp - NEMA 6-50 Plug	
Europe	230/400V, three phase, 20 amps. IEC 60309-1,32 amp	
Optional features	Slitters	
Noise Level	<70 dB(A)	
Mechanical Requirements	2 cfm compressed air @ 100 psi	
SEAL 65 Pro MD Part Number	64600	
Warranty	1 year parts / 6 months labor	
Extended Warranty	Options available to cover your machine for 3 years total (includes Standard Warranty).	

\* Specifications may change without notice.

+ Position for Auto-grip shaft on the laminator that can be used for either supply or take-up.

## 3. Installation



**WARNING:**  
INSTALLATION MUST BE CARRIED OUT BY SKILLED PERSONNEL.

**Note:**

Make sure that the machine, in its final location, has adequate space. You will need room to feed, receive and trim images.

**Only skilled personnel should perform installation. Read and comply with all warnings and follow the proper installation procedures and safety guidelines.**

Refer to the outside of the crate for uncrating and re-crating instructions.

Take into account the weight of the laminator (1955 lb/887 kg shipping weight) when moving. Use equipment that can safely lift the weight. The laminator is shipped on a wooden pallet (skid). While the laminator is still on the skid, it may be moved using a forklift to position it near its place of use.



**CAUTION:**

Set the forks of the forklift to the maximum lifting width of the laminator, so the laminator's center of gravity is central between the forks.



**CAUTION:**

Do not lift the laminator with a forklift once it has been removed from its skid. Doing so may damage the unit and void the warranty.



**CAUTION:**

Set the forks of the forklift to the maximum lifting width of the laminator, so the laminator's center of gravity is central between the forks.

### 3.1. Unpacking

Please watch the unpacking video for this machine at [www.sealgraphics.com](http://www.sealgraphics.com)

At delivery, the machine is packed in a plastic bag to avoid moisture penetration. It is transported in a carton box and is fastened onto a wooden pallet.

**Note:**

Unpacking the machine requires at least 2 persons.

The machine is equipped with castors that allow easy movement.

Place the pallet in a space where there is enough room to roll the machine off from the pallet (approx. 3x the length).

To unpack, follow the steps below:

- a. Cut the straps and lift off the carton box.
- b. Remove the plastic bag.

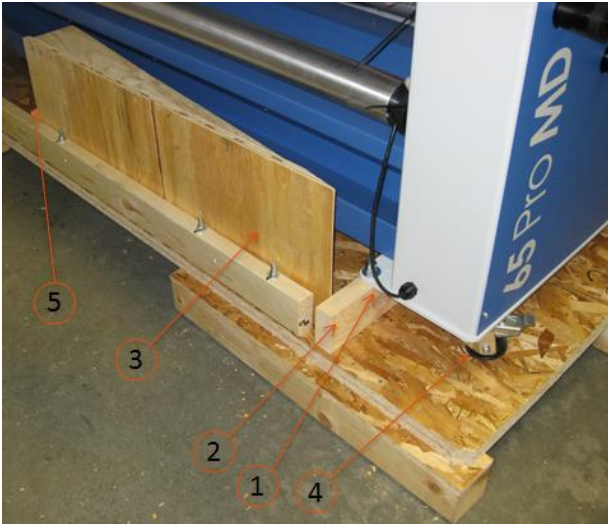


Figure 2: Removing transport parts.

- c. Put all the loose accessories aside.

**Accessories Included:**

- Spare Fuses
- Snitty Safety Knife
- Image Roll Cleaner
- Spare Core for Wind-up Shafts

- d. Remove the four securing bolts (1).
- e. Remove the wooden blocks (2).
- f. Unscrew and remove the ramps (3).
- g. Unscrew and remove the support block (5) to make room for the machine to pass by.





Figure 3: Ramp positioning.

- h. Place the two ramps (3) against the end of the pallet so that the castors (4) will roll down the ramps without falling off.
- i. Screw the ramps to the pallet to keep them from moving when unloading the machine.
- j. Unlock the castors.
- k. Roll the machine off carefully from the pallet using the ramps.



**WARNING:**

**ROLL THE MACHINE OFF WITH 2 PERSONS. IT IS HEAVY AND CAN NOT BE CONTROLLED ALONE.**

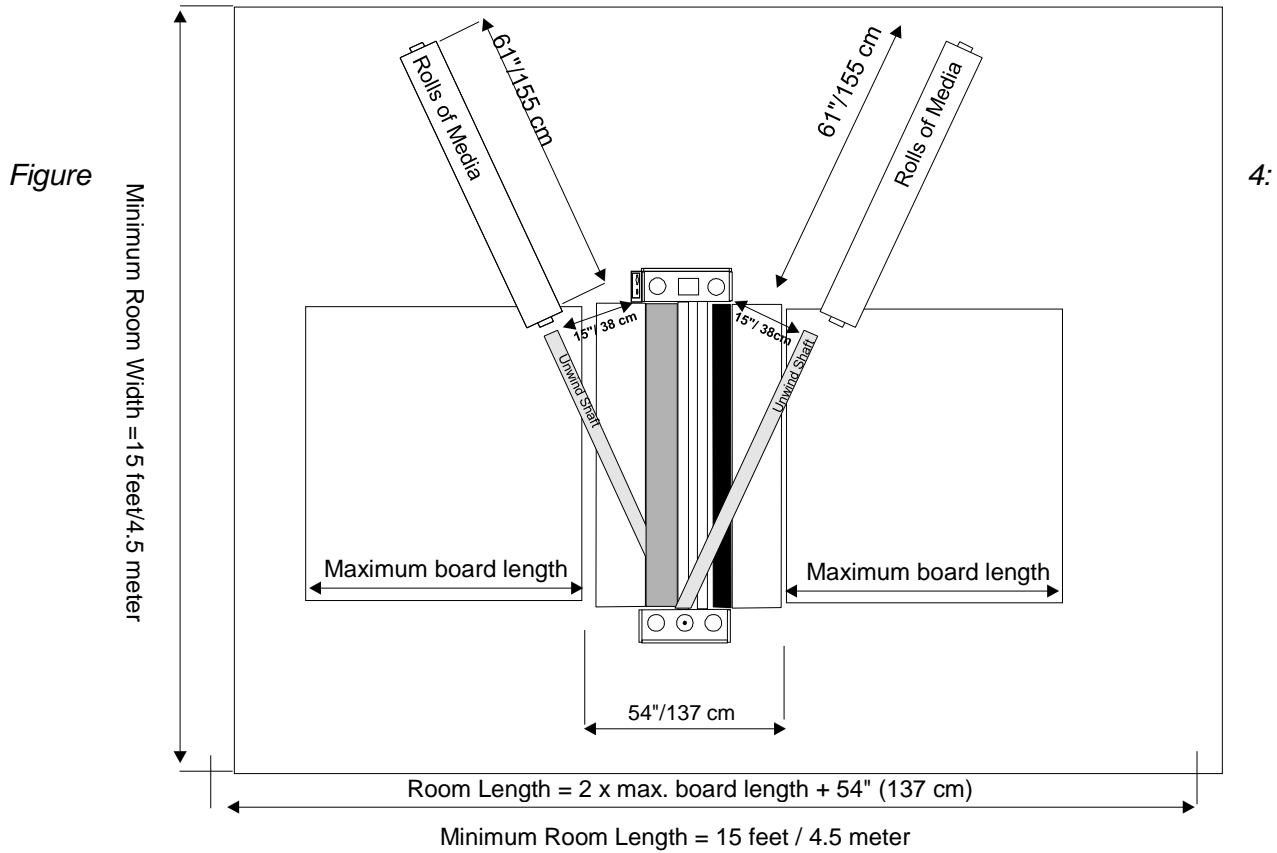
**Note:**

Save all packing material in case you need to move the machine over long distances at a later date. If you discard the material, please do so according to local regulations.

### 3.2. Installation

- a. Move the machine (and the accessories) to its final location.

**Note:** Allow ample working space. See figure 4.



*Working space.*

#### Working space

Width		140	in.	350	cm
Depth	2x maximum board length +	75	in.	190	cm

**Note:**

*A relative humidity between 50% to 70% will reduce ESD build up. Anti-static clothing and footwear of the operator and an anti-static floor coating also will help reduce the buildup of electrostatic (dis)charges (ESD).*

- b. Lock the casters to keep the machine from moving.

- c. Remove all transport material.
- Cut the straps around the shaft suspensions and remove the foam pads.
  - Cut the straps holding the in-feed table arms.
  - Cut the straps around the rollers.



**CAUTION:**  
Check the mains values before connecting. See section 2.1 for power supply details

- d. Connect the machine to the mains using the power cable supplied with the machine.



**CAUTION:**  
Only if absolutely necessary, use an extension cable of ample capacity. Unroll the extension cable completely.



**WARNING:**  
MAKE SURE THE POWER SUPPLY CABLE AND/OR THE EXTENSION CABLE IS NOT BLOCKING YOUR WAY AROUND THE MACHINE.

### 3.3. Transport

The machine can be transported on a smooth surface on its castors.

On rough surfaces use a pallet truck or forklift.

When moving the machine over long distances, use original pallet and packing material. Follow the unpacking procedure in the reverse to package the machine for long transport.

## 4. Description

This chapter describes the machine and its operating basics.

### 4.1. General description

The machine described in this manual is a multi-directional machine dedicated for processing pressure sensitive or heat activated laminating materials.

While feeding through images and coating films, the two silicone coated main rollers generate the nip pressure.

The area where the upper and lower main roller meet is called the “nip”. The upper main roller can be moved up or down pneumatically, so the nip can be varied to feed materials of various thicknesses. A numerical read-out on the Easy Operator Interface™ (EOI) panel shows the nip opening set value. The lower main roller is motor driven. The speed can be manually set between zero and 15 feet [4.6 Meters] per minute. The speed setting is also displayed on the EOI.

Because both main (front) rollers are equipped with heaters, heat activated materials can be processed with these rollers. Each main roller has its own temperature control, so top and bottom roller temperature must be set separately. This is also accomplished using the EOI.

In addition to the main rollers, a pull roller set is provided to prevent warping of heated film in an encapsulation process. These rollers can also be used with the machine running in the reverse direction to apply cold lamination films.

Cooling fans and chill idlers installed between the main and pull roller sets. When both heaters are turned on, the cooling fans and chill idlers will prevent the pull rollers from warming up too much and therefore prevents the encapsulation result from showing wrinkles.

Eight material shaft positions are standard on the machine. Two of these shaft positions can function as both an unwind or as a wind-up position, which makes the machine more flexible and enables roll to roll processing of all your laminating processes.

The position of all the main components of the 65 Pro MD are listed below.

## 4.2. Parts identification

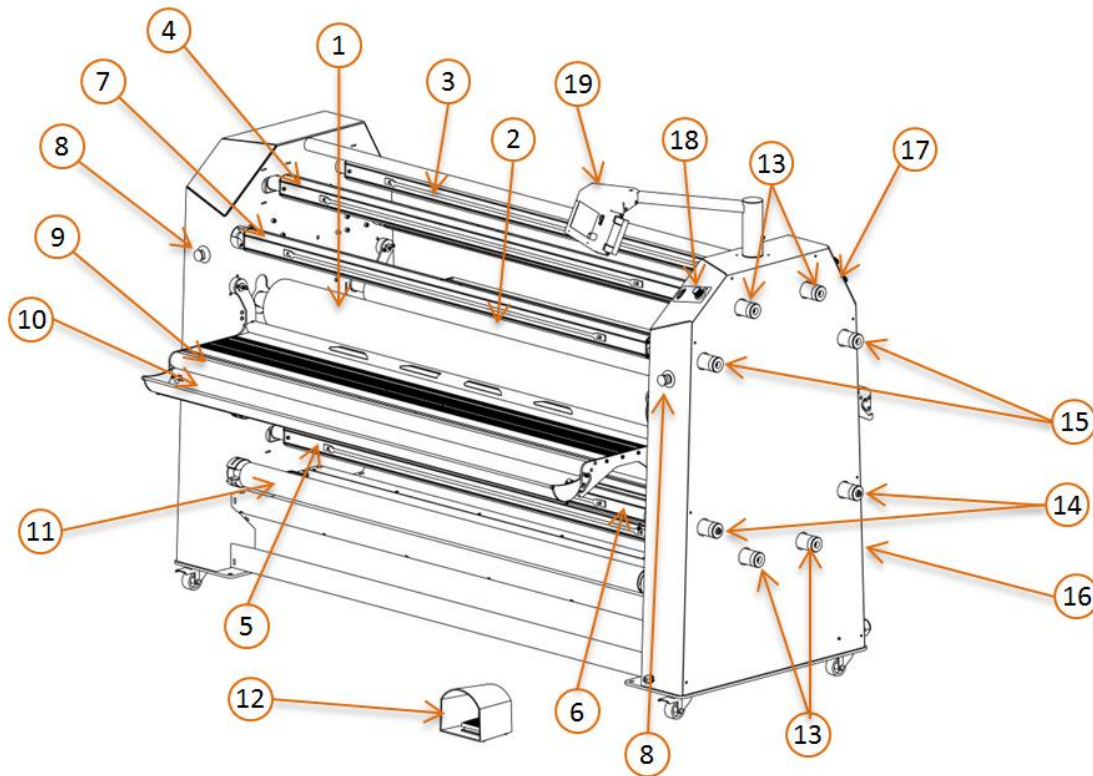


Figure 5: Parts Identification.

1. Main roll (top front)
2. Pull roll (top rear)
3. Swing out supply shaft (top rear)
4. Swing out supply shaft (top front)
5. Swing out supply shaft (bottom Front)
6. Take up Autogrip shaft (bottom front)
7. Take up Autogrip shaft (top front)
8. Emergency Stop
9. Infeed table
10. Roll trough
11. Roll feed idler
12. Foot switch (front)
13. Supply shaft brakes
14. Combi shaft brake / clutches
15. Take up clutches
16. Power circuit breaker
17. Rear control panel
18. Front control panel
19. Easy Operator Interface™ (EOI)

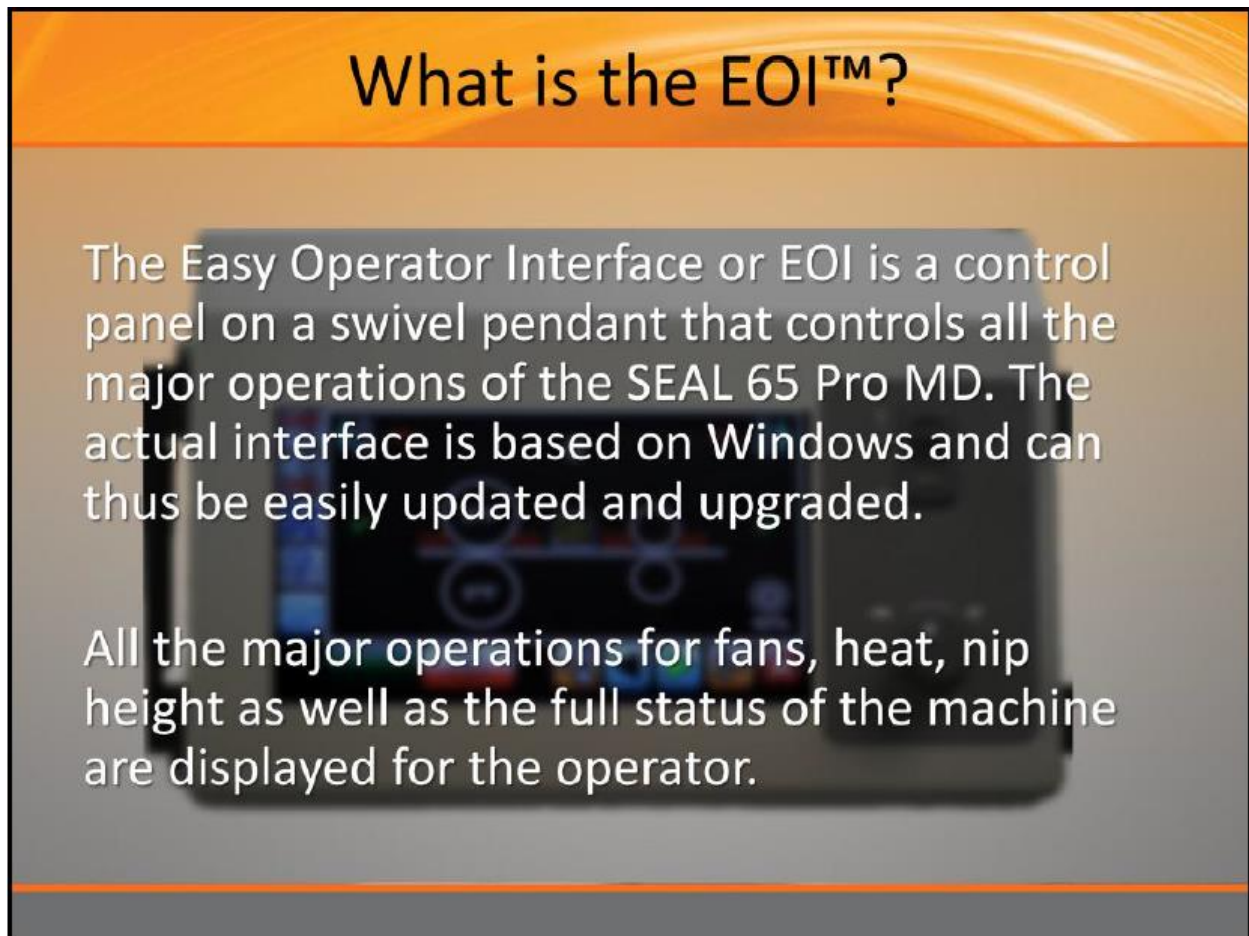
## 5. Machine Operation

This chapter describes the function of the controls and indicators, the operating modes, how to set up and operate the machine and a number of applications.

### 5.1. Machine controls

#### 5.1.1 Easy Operator Interface™ (EOI)

In order to take full advantage of your new SEAL 65 Pro MD, it is important to become familiar with the new Easy Operator Interface™.



The Easy Operator Interface™ is the first windows-based control panel for a laminator. As such, it can be updated and enhanced with future improvements. The current status of the machine is displayed on the home screen at all times. Around the left and bottom of the screen are buttons that can be touched to access options such as heat, nip height and fans. In addition these buttons can be used to start the laminator in forward or reverse.

### 5.1.1.1. The Home Screen



Here is a summary of the Home Screen buttons. These buttons are always visible no matter what screen is active inside the grey box. On the home screen the machine status of all functions are displayed inside the black box outlined in grey.

1. Top Roll temperature button
  - a. Action: Call up "Top Roll Temperature Control" screen – see separate description.
2. Bottom Roll temperature button
  - a. Action: Call up "Bottom Roll Temperature Control" screen – see separate description.
3. Fan button
  - a. Action: Toggle fan on and off – no separate screen called up, the fan indicator is on the home screen.
4. Help button
  - a. Action: Call up help screen to view software revision level or change between imperial and metric units.
5. Home screen button
  - a. Action: Return to the Home Screen from any other screen.
6. Run button
  - a. Action: Starts running the rolls in the selected direction.
  - b. Brighter when motor is not running, dimmer when motor is running.

7. Stop button
  - a. Action: Stops running the rolls. Does not change the selected direction.
  - b. Brighter when motor is running, dimmer when motor is stopped.
8. Main Roll nip button
  - a. Action: Call up “Main Roll Nip Control” screen – see separate description.
9. Reverse button
  - a. Action: Sets the machine to reverse direction.
  - b. Black arrow turns to green when direction is active.
  - c. Either reverse or forward button is always selected.
  - d. This button can only be used if the motor is not running.
10. Forward button
  - a. Action: Sets the machine to forward direction.
  - b. Black arrow turns to green when direction is active.
  - c. Either reverse or forward button is always selected.
  - d. This button can only be used if the motor is not running.
11. Pull Roll nip button
  - a. Action: Call up “Pull Roll Nip Control” screen – see separate description.



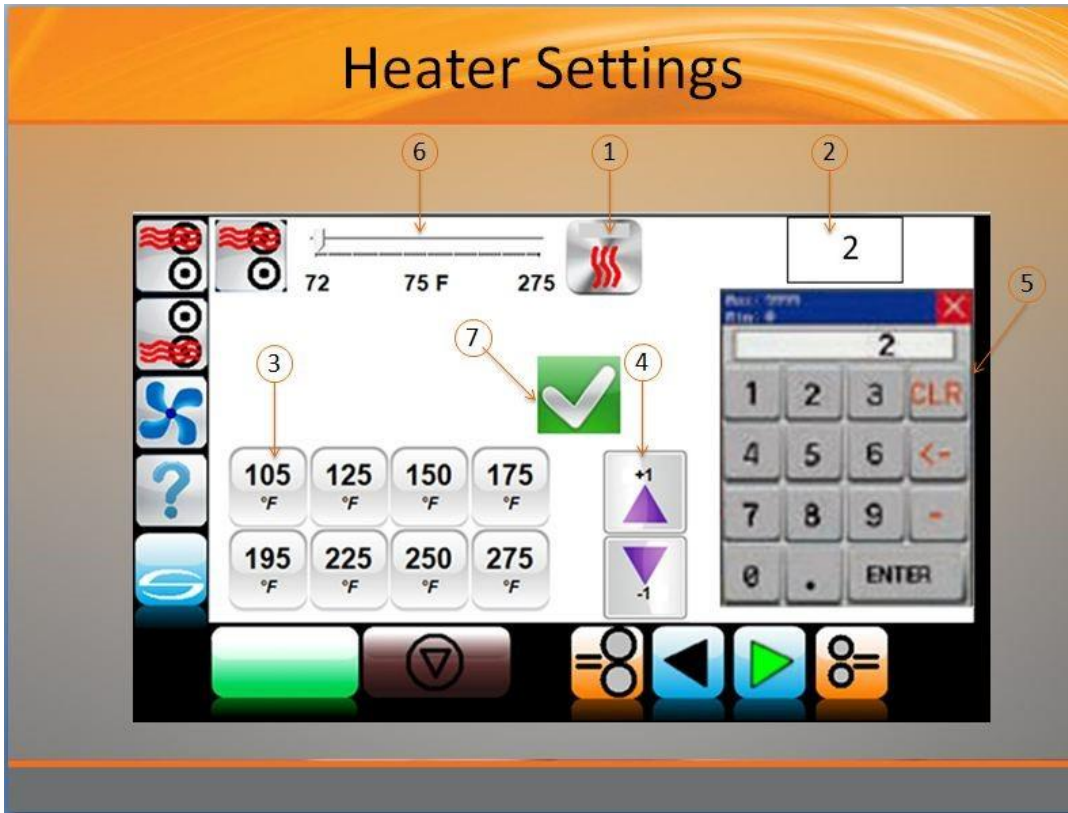
Here is a summary of the Home Screen status display. As you can see, this is the location where all current settings are reflected. You can always get to this screen by clicking the SEAL “S”.

1. Front nip pressure display
  - a. Display a percent of nip pressure (1-100). Updates real time.



2. Front nip opening display
  - a. Display only: show the current nip setting.
  - b. Numbers red when rolls are not at current nip setting.
  - c. Numbers green when rolls are at current nip setting.
3. Top and bottom roll current temperature display
  - a. Current temp displayed independently (top roll on top, bottom roll on bottom) in Fahrenheit or Celsius.
  - b. Numbers turn green when current temperature is within 20 degrees Fahrenheit (10 degrees Celsius) of set temperature.
  - c. Numbers turn red when current temperature outside of 20 degrees Fahrenheit (10 degrees Celsius) of set temperature.
  - d. Numbers turn white when heat turned off.
4. Reverse direction arrow display
  - a. This arrow is visible when the machine is in reverse and running.
  - b. This arrow is not displayed (invisible) when the machine is not running - even if this direction is selected. (Only one of the forward or reverse arrows will show at one time)
5. Photo eye state mode display
  - a. These symbols are displayed individually when any one of the photo eyes are interrupted. Each photo eye symbol represents a location on the machine.
  - b. These symbols are not displayed when photo eyes are operational.
  - c. These symbols are all lit if an emergency stop is depressed.
6. Speed display
  - a. This displays the current speed of the machine in Ft/min or M/min.
7. Snail mode display
  - a. This symbol is showing when the machine is in slow mode. (This mode is entered automatically after a photo has been interrupted or when using the foot switch while a photo eye is interrupted.)
  - b. This symbol is hidden when the machine is in normal run mode.
  - c. To return to normal run push the snail icon.
8. Fan display
  - a. This symbol is showing when the fan is running and hidden when the fan is off.
9. Rear nip pressure display
  - a. Display a percent of nip pressure (1-100). Updates real time.
10. Rear nip opening display
  - a. Display only: shows the current nip setting.
  - b. Numbers red when rolls are not at current nip setting.
  - c. Numbers green when rolls are at current nip setting.
11. Forward direction arrow display
  - a. This arrow is visible when the machine is in forward and running.
  - b. This arrow is not displayed (invisible) when the machine is not running - even if this direction is selected. (Only one of the forward or reverse arrows will show at one time)
12. Clutch pressure display.
  - a. Display a percent of clutch pressure (1-100), updates real time.

### 5.1.1.2. The Heater Screen



Both the top and bottom rollers can be heated. You can set the heat by typing in the temperature. The keypad will not let you enter a number out of the min/max range. Use the “<-” to backspace, “CLR” to clear out the number and the “ENTER” key to enter the number. Use the “+1” or “-1” keys to adjust temperature up or down in steps of 1 degree.

Click the icon on the right of the slider bar to actually turn on/off the heaters.

After turning the heaters on and setting the temperature, make sure to click the green check mark button. The result will probably be a set of RED numbers in the roller icons on the Home screen.

These numbers will turn green when the roll is heated to your setting.

- There are two Temperature screens – upper and lower main roll temperature screens.
- These screens are entered by pressing either temperature button on the left top corner of the screen.
- The only differences in the two screens are the icons, the current set point displayed in the temperature display, and the current roll temperature being displayed below the slider icon.
- This screen will remain open until the check mark is pressed or for 30 seconds, after that the screen will revert to the home screen.

#### 1. Heater on / off button

- a. This is a toggle button to turn the heater on or off. The heater icon is shown when the heater is on.

#### 2. Temperature set point box

- a. Action: Pressing in the box will make the keypad popup.
- b. Displays the “current” temperature set point until a nudge, preset, or box is pressed. If the number is changed with the keypad, it displays the numbers entered.

3. Preset temperature buttons
  - a. Press a button to enter the value into the temperature set point box.
4. Nudge buttons
  - a. Action: Increments/decrements the number in the temperature set point box by 1 degree up/down each time the button is depressed.
5. Number entry pad (Keypad)
  - a. Actions: Directly enter numbers into the temperature set point box from left to right.
  - b. Press the "CLR" is used to clear out the value entered at any time.
  - c. Press the "<" key is used to backspace.
  - d. Press the "ENTER" to accept the value. Note: The keypad will not let you enter a value that is not in the min/max range.
6. Current temperature display
  - a. Display the current temperature of the roll, updates real time.
7. Check Mark Button
  - a. Press the check mark button to accept the value in the temperature set point box as the "new" temperature set point and exit this screen. Note: If the check mark button is not pressed before exiting this screen, the set point value will change back to the old value.

## How to Operate Heat Control

**Heater Settings**

Heaters can be turned on using the heater icon.

Heater OFF

Heater ON

Current Heater Status

HEATER ON/OFF BUTTON

Be sure to turn the heater on or off using the button on the right side of the slider bar.

# Heater Settings

There are several methods for setting the temperature of the roller.

## Method 1 – Direct Entry

If you want to set a custom temperature, press the temperature set point box, and enter a number on the keypad. Next press the check mark button to apply

## Method 2- Presets

Enter a number quickly by pressing a preset button then press the check mark button to apply.

## Method 3 – Nudge

Tweak the number up/down with the nudge buttons. Next press the check mark button to apply

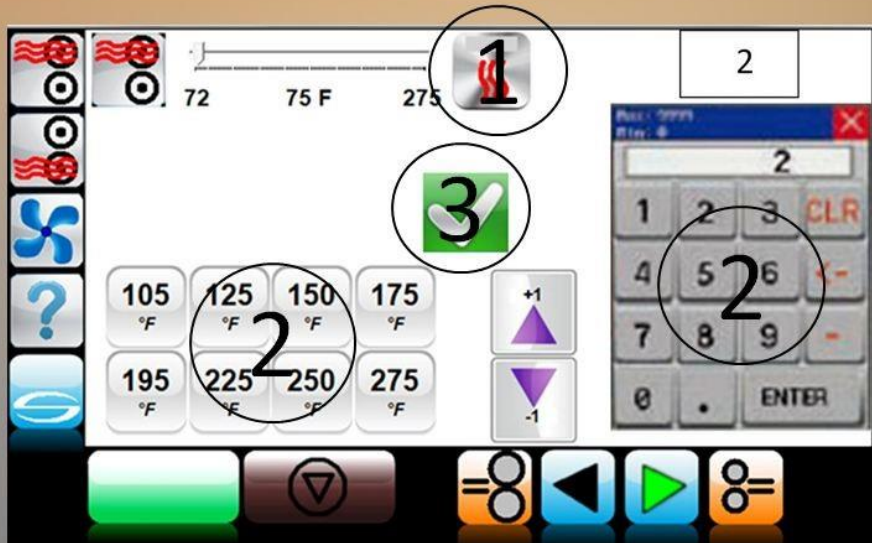


Tweak temperature in one Degree increments



# Heater Settings

Basically three steps. 1) Turn on heater, 2) Set temperature or choose preset, 3) Apply



## Heater Settings



The numbers in the front rollers indicate the roller temperature. They will be RED until they reach the desired temperature and then turn green.

### 5.1.1.3. The Help Screen

You can click the Question mark to open the help file. Currently, this allows you to change from imperial to metric units. Pressing the button will change the text to the active units. The screen also shows the installed versions of software. Click the “S” button to return to the home screen. This screen may include more help in new generations of the EOI.

## Getting Help



#### 5.1.1.4. The Nip Screen

The rolls on the 65Pro MD are pneumatically raised and lowered. The position that the rolls move to when they are lowered is controlled by electronically moving a stop that holds the rolls open to any position that the user enters. In order to change the nip setting, the rolls must be in the raised position.

Similar to heater settings, the nip height can be directly typed into the keypad, or you can use pre-sets. The “+0.01” or “-0.01” buttons allow for adjustments of 1/100 inches. The number near the top of this menu indicates the current pressure setting, in this example 35%. The pressure is controlled by manual knobs on the laminator but is indicated on this screen and the Home screen.



- There are two nip screens – a main roll nip screen and a pull roll nip screen.
- These screens are entered by pressing either nip button in the main screen.
- The only differences in the two screens are the icons, the current set point displayed in the nip height display, and the current pressure being displayed under the slider icon.
- This screen will remain open until the check mark is pressed or for 30 seconds. After that, the screen will revert to the Home screen.

##### 1. Nip Set Point Box

- a. Action: Pressing in the box will make the keypad popup.
- b. Displays the “current” nip set point until a nudge, preset, or box is pressed. If the number is changed, it displays the numbers entered.

2. Preset buttons (6)
  - a. Action: Enters a decimal number into the nip height display that is equal to the fraction shown on the button.
3. Nudge buttons
  - a. Action: Increments/decrements the number in the nip height display by .01 inch each time the button is depressed.
4. Number Entry Pad (Keypad)
  - a. Actions: Directly enter numbers into the nip set point box from left to right in decimal.
  - b. Press the “CLR” is used to clear out the value entered at any time.
  - c. Press the “<-” key is used to backspace.
  - d. Press the “ENTER” to accept the value. Note: The keypad will not let you enter a value that is not in the min/max range.
5. Nip pressure display
  - a. Display a percent of nip pressure (1-100), updates real time.
  - b. One end of the display will turn red if the pressure moves into the “danger” area of the scale (i.e. below 15% and above 85%).
6. Check Mark Button
  - a. Press the check mark button to accept the value in the nip set point box as the “new” nip set point and exit this screen. Note: If the check mark button is not pressed before exiting this screen, the set point value will change back to the old value and nothing will happen.

## Setting the Nip Height

# Nip Height Adjustment

There are several methods for setting the nip height of the roller.

**Method 1 – Direct Entry**  
 If you want to set a custom nip height, press the nip set point box, and enter a number on the keypad. Next press the check mark button to apply

**Method 2- Presets**  
 Enter a number quickly by pressing a preset button then press the check mark button to apply.

**Method 3 - Nudge**  
 Tweak the number up/down with the nudge buttons. Next press the check mark button to apply

0 <small>0.000</small>	1/16 <small>0.063</small>	1/8 <small>0.125</small>	3/16 <small>0.188</small>
1/4 <small>0.250</small>	5/16 <small>0.313</small>	3/8 <small>0.375</small>	1/2 <small>0.500</small>

+0.01

▲

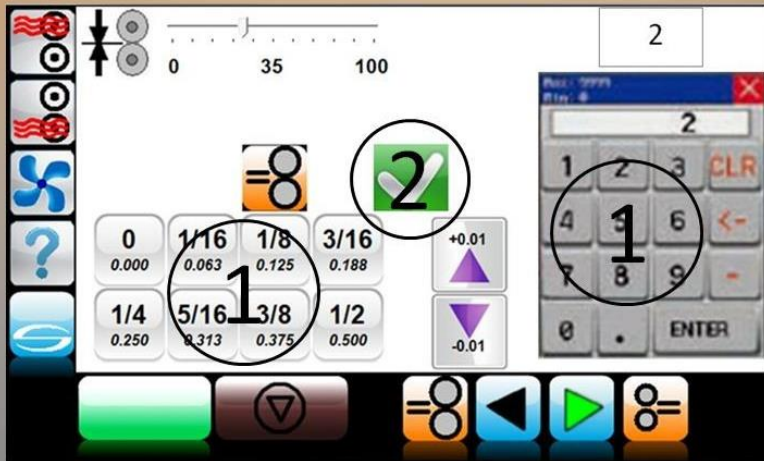
-0.01

▼



# Nip Height Adjustment

Basically two steps. 1) Set temperature or choose preset, 2) Apply



# Nip Height Adjustment



After the check mark is selected you will return to the home screen. The numbers indicating the nip height set point will be updated with the new set point value. They will be RED until the nip reaches the desired position. Then the numbers will turn green.

The nip will not go to a new position if the rolls are down. You can change the set point with the rolls down and then raise the rolls when you are ready to have the nip move.

Also, the rolls will not lower while the nip is in motion. After the nip set point is achieved (numbers turn green) then the rolls will lower.



## 5.1.2 Additional controls



Figure 8: Front controls

### Emergency stop buttons (1):

There are 4 emergency stops on the machine. Two are located on the front of the machine (see section 4.2), and two are in the same locations on the back of the machine. The emergency switches are push button switches. When pressed the rotation of the rolls is stopped immediately, the rolls move to the open position, the heaters turn off, and the button is locked into this stop position.

Twist the emergency stop button to unlock it. This allows you to use the EOI to reset the heaters and start the rolls. Toggle the roll position switch to lower the rolls again.

### Front control panel (2),

There are two controls on the front control panel. The first is a toggle switch (3) that is used to raise and lower the rolls. This switch will always raise the rolls, but it will only lower the rolls if the emergency stop is not depressed and the photo eyes in front and behind the roll are not blocked. The foot switch can be used to override the photo eyes and lower the rolls. You may want to turn the speed potentiometer to zero at this point as the rolls will start turning when the foot switch is depressed.



### WARNING:

**KEEP CLEAR OF THE NIP WHEN USING THE FOOT SWITCH TO OVERRIDE THE PHOTO EYES.**

The second control on the front control panel is the main roll air pressure adjustment knob (4). Turn this knob to the right to increase the pressure and to the left to decrease the nip pressure. The pressure is displayed on the EOI as a percent of the total recommended pressure.



Figure 9: Foot switch

### Foot switch

Press and hold the switch to start the rotation of the rolls. Insert the forefoot completely to use this switch. When the switch is released, the rotation of the rolls will stop.



### Emergency stop buttons (1):

There are 4 emergency stops on the machine. Two are located on the front of the machine (see section 4.2), and two are in the same locations on the back of the machine. The emergency switches are push button switches. When pressed the rotation of the rolls is stopped immediately, the rolls move to the open position, the heaters turn off, and the button is locked into this stop position.

Twist the emergency stop button to unlock it. This allows you to use the EOI to reset the heaters and start the rolls. Toggle the roll position switch to lower the rolls again.

### Rear control panel (2),

There are three controls on the Rear control panel. The first is a toggle switch (3) that is used to raise and lower the pull rolls. This switch will always raise the rolls, but it will only lower the rolls if the emergency stop is not depressed and the photo eyes in front and behind the roll are not blocked. The foot switch can be used to override the photo eyes and lower the rolls. You may want to turn the speed potentiometer to zero at this point as the rolls will start turning when the footswitch is depressed.



### WARNING:

**KEEP CLEAR OF THE NIP WHEN USING THE FOOT SWITCH TO OVERRIDE THE PHOTO EYES.**

*Figure 10: Rear Controls*

The second control on the rear control panel is the pull roll air pressure adjustment knob (4). Turn this knob to the right to increase the pressure and to the left to decrease the nip pressure. The pressure is displayed on the EOI as a percent of the total recommended pressure.

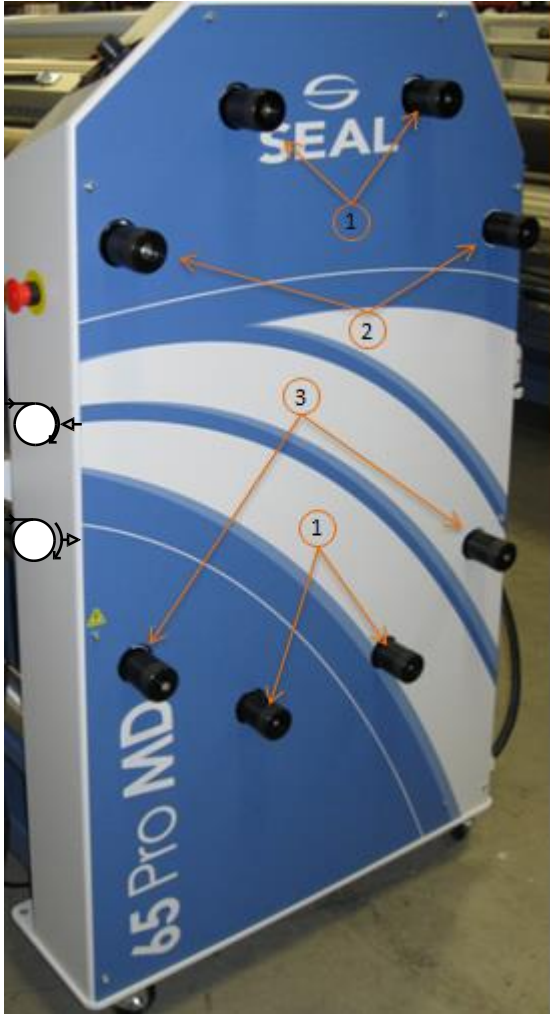
The third control on the rear control panel is the pull roll clutch air pressure adjustment knob (5). Turn this knob to the right to increase the pressure and to the left to decrease the nip pressure. The pressure is displayed on the EOI as a percent of the total recommended pressure.

### Main power breaker (6)

The main power breaker protects the machine's electrical components and can be used to turn the machine ON or OFF.

### Air water trap (7)

The air water trap removes water from the incoming air. Twist the valve on the bottom of the trap to drain the water from the trap. The water should be drained at least once a week. Humid conditions may cause a need to drain the trap more often.



**Unwind tension control (1) knob:**

By turning this knob clockwise an amount of friction is set between the shaft and the frame, so this will act as a brake.

Tightening the brake will apply more tension to the material on the shaft.

Turning the knob counter-clockwise will release the brake and therefore release the tension.

**Wind-up tension control (2) knob:**

By turning this knob clockwise an amount of friction is set between the shaft and the driving sprocket wheel, so this will act as a

coupling between motor and wind-up shaft.

To release the tension, turn the knob counter-clockwise.

**Unwind/wind-up tension control (3) knob:**

By turning this knob clockwise an amount of friction is set between the shaft and the frame, so this will act as an unwind brake.

Turning the knob counter-clockwise will release the brake.

Turning the knob further counter-clockwise will set an amount of friction between the shaft and the driving sprocket wheel, so this will act as a coupling between motor and shaft. The shaft will now act as a wind-up shaft. Turning the knob clockwise will release the wind-up shaft again.

Figure 11: Shaft brakes, clutches, and Combi controls

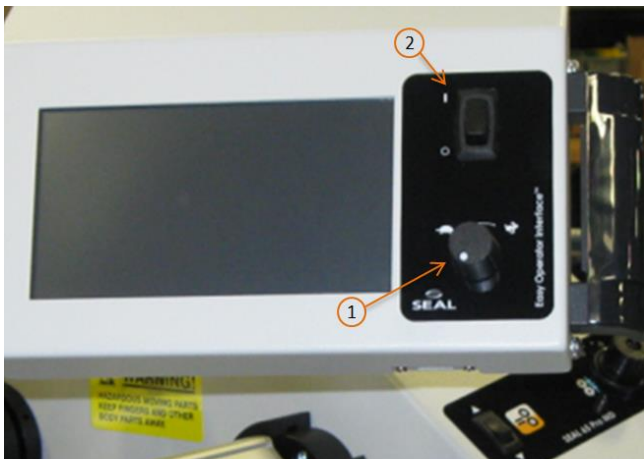


Figure 13: Pendant Controls

**Speed potentiometer (1):**

The speed potentiometer increases the speed of the machine as it is turned clockwise. The speed is reduced by turning the knob counter-clockwise.

The current speed setting is displayed on the EOI.

**Stand by switch (2):**

The machine can be placed into the standby mode by toggling the standby switch. After the switch is toggled, a confirmation message will appear on the EOI. Press the check button to enter the standby mode. In standby the rolls will be moved to the raised position, the heaters will be shut off, the roll motor will be switched off, and the nip set points will be moved to 1 inch. Toggle the standby switch again to turn off the standby mode. When coming

out of standby the nip set points will return to the last set point. Use the EOI to turn the motor and heaters back on. Toggle the roll control switches to lower the rolls.

## 5.2. Operating modes

The 65 Pro MD has two speed modes. The machine is either in normal speed mode or slow speed mode. In both normal and slow mode the rollers can rotate in forward or in reverse direction. The rotation speed of the rollers in normal mode is set via the speed control knob. In the slow mode the machine will run at 2 feet per minute [.6 meters per minute] if the potentiometer is not all the way counter-clockwise. If the potentiometer is all the way counter-clockwise the speed of the machine is zero (shut off) in either speed mode.

### 5.2.1 Normal mode

Rotation can be started by pressing the run button and stopped by pressing the stop button. An interruption of the light beam of the infeed photo eye in this mode will stop the rotation of the rollers. After the interruption is removed the rolls will start in the slow mode. Press the slow mode icon on the EOI to resume normal mode. Roll rotation can also be started when the footswitch is pressed. Roll rotation control is taken over by the footswitch and the rollers will rotate until the foot switch is released.

**To return control to the control panel without stopping roll rotation:**

- a. press the run button
- b. release the foot switch

Note: rotation is then stopped when the stop button is pressed.

An interruption of the light beam of the in feed photo eye in this mode will switch the speed mode to the slow mode, but will continue to turn the rolls. After the interruption is removed the slow mode icon on the EOI can be pressed to resume normal mode.

#### 5.2.1. Reverse mode

The 65 Pro MD runs the same in forward or reverse with two exceptions:

- The rotation of all the shafts and rolls is reversed in the reverse direction.
- The in feed and out-feed photo eyes on each roll are switched. Only blocking the photo eye on the in feed side of the nip will cause the slow mode activation.

#### 5.2.2. Slow mode

Slow mode is activated when the laminator is running and the photo eyes at the in feed side of either nip are blocked. This is indicated by the snail icon on the EOI screen. Entering slow mode will force the machine to run at 2 ft. per minute unless the potentiometer is turn all the way to zero (counter-clockwise).



**WARNING:**

**KEEP CLEAR OF THE NIP WHEN RUNNING AT SLOW MODE SPEED.**

When running at slow mode speed, the in feed photo eyes will not stop the roll rotation.

**Note:** To change from slow mode to normal mode without stopping just press the snail icon on the EOI. If you are using the foot switch you must also press the forward button before you release the foot switch.

### 5.3. Process principle

In all processes the materials are fed through the nip from the infeed side to be joined together by pressure and/or temperature.

*A process that makes maximum use of the machine is shown in figure 6.*

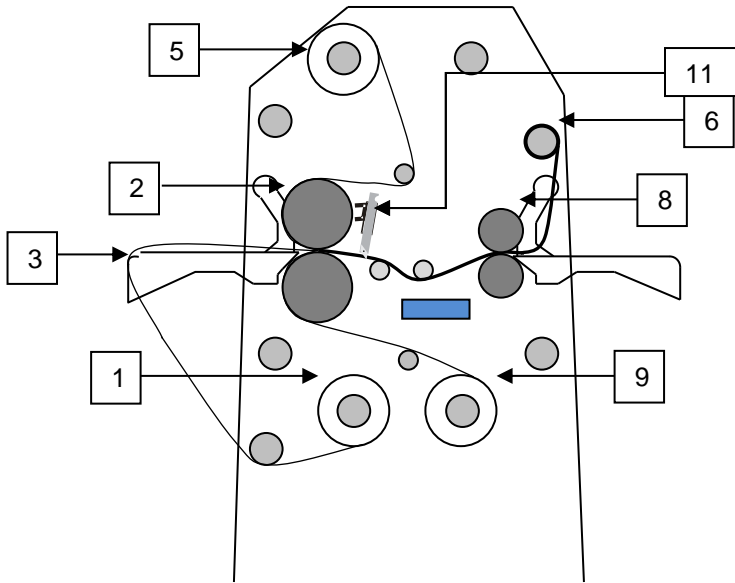


Figure 6

Shown is an image roll to roll process with a heat activated top and bottom layer.

The image that has to be coated on both sides is unwound from a roll on an unwind shaft (1) and fed between the main rollers (2) via the in-feed table (3). The upper unwind/wind-up shaft (6) is set as a wind-up to roll up the finished product.

The top coating film is taken from a supply roll on the top unwind shaft (5). The bottom coating film is taken from a supply roll on the lower unwind shaft (9).

When using a pressure sensitive laminate, it often has a release liner (as shown in Figure 7) that has to be removed. It runs over a splitter bar (7) where the release liner is removed. This release liner is rolled up onto a cardboard core placed on the wind-up shaft (4) in the upper section.

When using a pressure sensitive laminate without a release liner, it must not run via the splitter bar to avoid getting adhesive residue on it.

The main rollers can be heated. The heat activated film is fed under the splitter bar providing maximum contact surface with the heated main rollers.

When encapsulating (hot sealing images), an additional set of pull rollers (8) is used to prevent wrinkles after cooling down.

When continuously encapsulating (roll to roll) the chill idlers would warm up slowly. To prevent the chill idlers from becoming too hot, the cooling fans can be turned on. The cooling fans blow cool air onto the chill idlers, which in turn absorb the heat from the encapsulated print.

The optional slitters (11) can be used to cut off the edges when processing roll to roll.

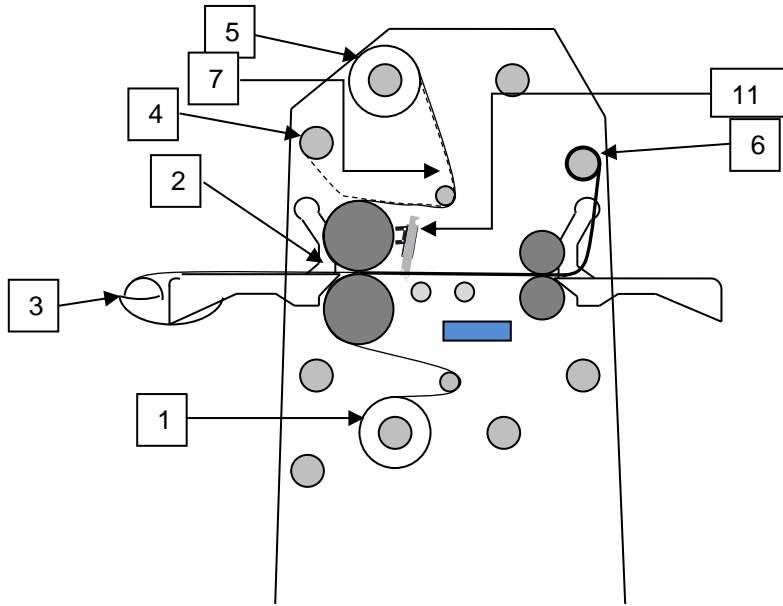


Figure 7: Creating Pop-up art, including image supply roll trough.

## 5.4. Loading film rolls

### 5.4.1. Auto-grip shafts

All auto-grip shafts operate in the same fashion. Their function is determined by their position in the machine. The drop in shafts fit into the machine in either direction. On the control panel side of the machine the auto-grip shaft gripper snaps into the brake or clutch gripper slot in the shaft holder. At the left-hand side of the machine the drop in shafts have a spring loaded plunger in the shaft holder. This plunger pushes the gripper into the gripper slot (and into the locking position) when the shaft is turned.

To position the shaft correctly, push it firmly into the shaft holders and turn the shaft until it locks in. Check the auto-grip mechanism on each shaft. The rubber cords should just touch the edges of the recess (14A:  $d = .3" \pm .1" [8 \pm 2.5 \text{ mm}]$ ).

If not, see chapter 6 (maintenance).

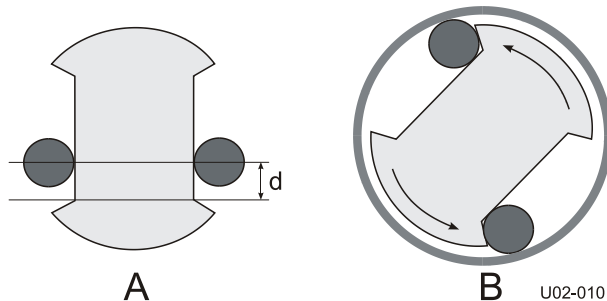


Figure 14: Auto-grip shaft

When the shaft is rotated inside a film core, the rubber cord will move to the side and gets caught between shaft and film core (Figure B). Rotating back will release the cord.

### 5.4.2. Use of films with release liner

When using a film with a release liner that must be removed, load the wind-up shaft with a scrap core (empty cardboard cylinder) of (at least) the same width as the film.

- a. Take the auto-grip shaft from the wind-up position of the machine.
- b. Place the scrap core on the shaft.



**CAUTION:**  
**Do not drop the end of the shaft on the floor.**

- c. Put the shaft with cylinder back into the machine.
- d. Push both sides of the shaft firmly into the shaft holders.
- e. Turn the shaft until the grippers lock in.

### 5.4.3. Loading shaft with film rolls

The way the roll of film is put on the shaft depends on the type of film used and whether you are placing it in the upper or lower section of the machine.

In general, film with release liner is rolled up with the liner (and adhesive) to the outside, whereas film without release liner has its adhesive layer to the inside of the roll.

- In the upper section, the (adhesive) side in contact with the image must be on the top when unwinding the film to the front of the machine.
  - In the lower section, the (adhesive) side in contact with the image must be on the bottom when unwinding the film to the front of the machine.
- a. Put the film roll on a flat surface with enough space on one side to insert the shaft.
  - b. Take the auto-grip shaft from the unwind position of the machine.
  - c. Insert the shaft into the core cylinder of the film roll, holding the auto-grip shaft as in figure 15.

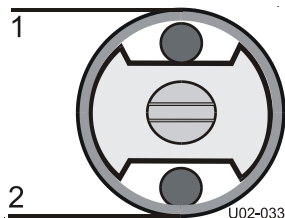


Figure 15: Auto-grip shaft position.

- d. Place the shaft and film back into the shaft holders (see figure 15).

Unwind direction of film towards the front of the machine:

In the upper section:

- film with release liner on the outside unwinds from the top (1)
- film with release liner on the inside unwinds from the bottom (2)
- film without release liner unwinds from the bottom (2)

In the lower section:

- film with release liner on the outside unwinds from the bottom (2)
- film with release liner on the inside unwinds from the top (1)
- film without release liner unwinds from the top (1)

- e. Push both sides of the shaft firmly into their suspensions.
- f. Turn the shaft until the grippers lock in.
- g. Position the film and the scrap core in the middle of the machines and align them with each other.

**Note:** When both upper and lower sections are used, make sure to align the both rolls of film with each other.

- h. Make sure the films (and scrap cores) are set up and aligned properly.

#### 5.4.4. Presetting the tension

To enable the film to unwind without wrinkles, a brake tension can be set to the roll.

On the right-hand side of the machine you will find tension control knobs, corresponding with each shaft.

Turn the tension control knob clockwise to set the tension or counter clockwise to release the tension.

**Note:** The unwind/wind-up (Combi) shafts have a split tension setting: Turn clockwise for unwind tension and counter clockwise to release the unwind tension. Turning further counter clockwise will set wind-up tension (see also section 5.1.2).

When the film is webbed, it is recommended to set a low tension to each shaft by turning the knob clockwise until you feel some resistance.

On the unwind shaft this will prevent film from unwinding without tension. On the motor-driven wind-up shaft, it allows the shaft to slip and adapt its rotation speed to the speed of the film.

#### 5.4.5. Pressure setting

##### 5.4.5.1. Thin images

When processing thin images (thickness same as or less than the film) pressure is preset when the upper and lower material is webbed.

During processing the pressure can be adjusted. The best pressure setting for thin films is about 45%.

##### 5.4.5.2. Panels

When processing panels, a leader panel is used to preset the pressure.

Use a leader panel of the same material, thickness and width as the panels to process.

- a. Set the nip to the thickness of the panel.
- b. Feed the panel into the nip in slow mode.
- c. Set the pressure to approximately 40% for full-width panels.



**CAUTION:**

**For narrower panels set the pressure proportional to the width between 20% and 30%.**

- d. Push the reverse button to run the panel back through the machine.



## 5.5. Webbing

For most processes the machine must be webbed before images on thin film or on panels can be processed. The machine can be webbed for single sided or double sided processing.

**Note:** In single sided processes, adhesive residues will stay behind on the bottom roller where the film is wider than the images. To prevent this, a release liner or craft paper of the same width as the top film can be used in the bottom section. The release liner or craft paper can be removed later.

When webbing a film with a release liner, the film is always fed over a splitter bar (or idler), where the release liner is separated from the film. To increase contact surface with the heated main roller, heat sensitive film also runs via this idler (splitter bar). In this section an unwind (or wind-up) roll can also be an unwind/wind-up shaft position set as unwind (or wind-up). To feed films through the machine, a leader panel of the same thickness as the panels to laminated may be used. A thin leader panel can be used when laminating images. When this panel is through, the nip is set to zero and the images can be fed.

### 5.5.1. Upper section only

- a. Remove the image guide.
- b. Unwind the film from the upper or top unwind roll.
  - Feed a pressure sensitive film (without release liner) from the top unwind roll over the splitter bar.
  - Feed all other films underneath the splitter bar.
- c. Pull the film forward until approximately 10 cm (4 in.) lays on the in-feed table.

**If the film has a release liner:**

  - Peel off the release liner.
  - Pull the release liner up and stick it to the scrap core on the wind-up shaft.
- d. Stick the leader panel to the film.
- e. Feed the panel into the nip using slow mode.
- f. Refit the image guide.
- g. Stick the front end of the image to the leader panel or butt up the next panel.

#### **During processing:**

- Check and adjust the tension on the unwind- and wind-up shafts.
- Check and adjust the pressure setting while feeding through the leader board and images.
- Now speed can be set to normal.

### 5.5.2. Upper and lower section

A leader panel is needed of the same thickness as the images or panels to process.

For thin images use a thin leader panel and set the nip to zero after the panel is through the nip.

### 5.5.3. Webbing both upper and lower films.

- 1) The film in the upper section is webbed first
  - a) Remove the image guide.
  - b) Feed the film underneath the splitter bar (between splitter bar and upper roller).
    - Pressure sensitive film (without a release liner) from the top unwind shaft must be fed over the splitter bar.
  - c) Pull the film forward until it almost reaches the in-feed table and apply it to the upper roller.

**If the film has a release liner:**

- Peel off the release liner.
- Pull it up and stick it onto the cylinder on the wind-up shaft.

2) Now web the lower section

- a) Lift the in-feed table and put it in the upper position.
- b) Unwind the film from the lower unwind roll.
  - Feed a pressure sensitive film without release liner underneath the splitter bar.
  - Feed all other films over the splitter bar.
- c) Pull the film forward until the end reaches above the nip and stick it to the film from the upper section.

**If the film has a release liner:**

- Peel off the release liner.
- Pull it underneath the wind-up shaft.
- Stick it from below onto the cylinder on the wind-up shaft.

d) Lower the in-feed table.

**When encapsulating:**

- Set the top pull roller in the raised position.
- e) Push the films with a leader panel into the nip using slow mode.
  - f) Lower the pull rolls onto the leader panel.

**Note:** Use a leader panel of the same material, thickness and width as the panels to process. When encapsulating, it is recommended to use a thin release board as a leader.

- g) Stick the front end of the image to the leader panel, or butt up the next panel.
- h) When the leader panel is through the nip, set the pressure for optimum result.
- i) Refit the image guide.

**While feeding the images:**

- Check and adjust the tension on the unwind- and wind-up shafts.
- Check and adjust the pressure setting.
- Now speed can be set to normal.

#### 5.5.4. Roll to roll

When webbing for the roll to roll process, the lower front unwind/wind-up shaft is used as a supply (unwind) shaft for the images.

#### 5.5.5. Single sided lamination;

When laminating single sided, the unwind/windup shaft in the rear of the lower section can be used to wind-up the completed product.

**Note:** To prevent adhesive residues from staying behind on the bottom roller use a release liner in the bottom section and follow the double sided lamination process. The release liner can easily be removed later on.

### 5.5.6. Double sided lamination:

The unwind/wind-up shaft in the rear of the upper section is used to wind-up the processed images. This means the top laminate (with or without release liner) must be webbed on the top unwind shaft in the upper section and in the lower section only a laminate without a release liner can be used.

#### The laminates are webbed first:

- a. Web the upper and lower section laminates as described in the previous sections.
- b. Feed the films with a leader board through the nip.
- c. When the leader panel is through the nip, cut off the leader panel.
- d. Stick the leading edge of the films at the rear side of the machine onto the cylinder on the wind-up shaft.
- e. Set the tension control for this shaft to wind-up tension.
- f. Set the nip to zero.
- g. Pull the image to the front and feed it over the in-feed table into the nip.

### 5.5.7. Unloading

When the image roll is empty and through the nip, cut the films at approximately the same length and let the machine run until the end is through the nip.

### 5.5.8. Pull rollers

The pull rollers are generally used in the encapsulation process (hot processing double sided lamination) to get a better encapsulation result.

- Before webbing set the top pull roller in the upper position and lock it on both sides.
- Webbing is the same as described before, except the films are now, with a leader board, pushed through the main roller nip and the pull roller nip.

## 5.6. Processes and settings

### 5.6.1. Mounting images or decals

In this process the machine is not webbed with film.

- When mounting images onto a (pre-coated) board (B), the adhesive is on the mounting side of the board.
- When mounting decals, the adhesive is on the back of the image.

The mounting process is the same for both.

- a. Remove the shafts from the upper section.
- b. Preset the nip and the pressure (see section 5.1).
- c. Put the board on the in-feed table.

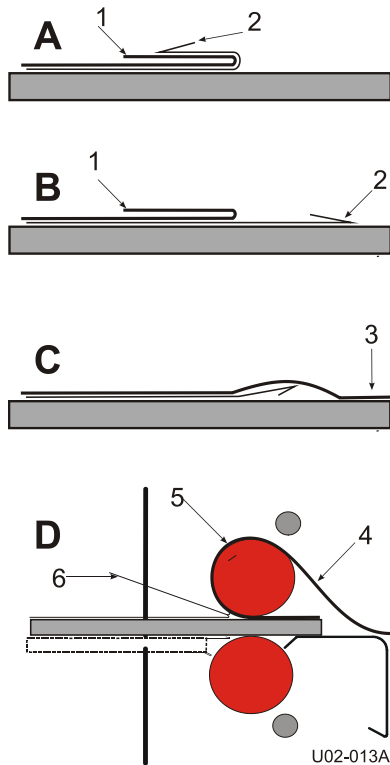


Figure 16: Mounting images or decals

- d. Put the image on top of the board (image side up). Turn back the image at the machine side (1).
- e. Turn back approx. 25 mm (10 in.) release liner (2) at the machine side and crease this evenly from the inside out.

**Note:** The final quality depends how straight the leading edge of the image is applied to the board.

- f. Apply the image to the board (3).
- g. Insert the edge with the image adhered to into the nip.
- h. Lay the loose end of the image smoothly over the upper roller (4).

**Note:** Use the footswitch to start/stop in slow mode, keeping your hands free.



**WARNING:**

**KEEP YOUR FINGERS CLEAR OF THE NIP. THE OPTICAL SAFETY DEVICE IS NOT FUNCTIONING IN SLOW MODE.**

- i. With your left hand - peel back the release liner (6) from the image or board as it is slowly fed into the nip one section at a time, without stopping.

**Note:** Removing the release liner completely exposes the adhesive to dirt and dust that will get trapped under the image.

- j. With your right hand - keep the image smooth against the upper roller (5), preventing the image from wrinkling.

**Note:** For the best result; do not stop while feeding an image.

### 5.6.2. Pre-coating panels

This process is used to coat boards (substrates) with a pressure sensitive mounting film onto which images can be mounted. This process can also be used to create a carrier board.

**Note:** The mounting film is usually provided with one release liner.

Place the film and web it as if it has no release liner, over the splitter bar.

- a. Place the roll of mounting film on the shaft of the upper unwind position.
- b. Set the nip to correspond to the thickness of the panels to be processed.
- c. Web the film using a leader board of the same material, thickness and width.
- d. Set the pressure while feeding the leader board.
- e. Before the end of the leader board enters the nip, butt up the panel to be pre-coated.

When more panels have to be pre-coated feed them in continuously without any gap. At the end, use a leader board again to finish. This prevents the adhesive from touching the bottom roller.

- f. Butt up and feed the last leader board until the previous panel is out of the nip.



**CAUTION:**

**Do not cut film close to or on the rollers. This will damage the silicone coating of the rollers and will void the warranty.**

- g. Cut this panel free.
- h. Back-up the leader board using the reverse.
- i. Cut the film using a Zippy cutter with a covered blade.

After removing the release liner from the pressure sensitive mounting film, the board has an adhesive coating ready to mount an image.

### 5.6.3. Single-sided lamination

Images are laminated single-sided using carrier (or release) boards. This laminate can be a heat sensitive laminate or a pressure sensitive adhesive with release liner.

- The image is put on the carrier board with the image side up.
- All steps in this process are the same as when pre-coating a board.

### 5.6.4. Double-sided lamination

Encapsulating images with cold laminates is called double-sided lamination (and is normally not done with panels).

- a. Load and web laminating film in the upper and the lower section.
- b. Stick a leader board to the films and feed it through the nip.
- c. When the leader board is completely out of the nip, lower the upper roller onto the bottom roller (nip setting = 0).
- d. Now feed the images into the nip, allowing a gap between them.
- e. Cut the film with the blade cutter when the images are clear of the rollers.

**To unload the machine:**

- a. Cut both films along the splitter bar using an enclosed blade cutter.
- b. Open up the nip and remove the film between the rollers.

### 5.6.5. Encapsulation

Encapsulation is the term for sealing an image with heat activated laminates on both sides.

**Note:** The heated rollers need time to reach their set temperature (e.g. from room temperature to maximum takes approximately 1 hour). It is recommended to let the machine run at low speed, to avoid uneven hot spots.

- Switch ON both heaters, set the temperatures (see the specifications of the materials used) and allow ample time to reach the set temperature.
- Set the upper pull roller in the upper position before webbing and lock it in position.
- The procedure is the same as the double-sided lamination above.

### 5.6.6. Over-lamination

After an image is mounted to a panel, a protective laminate can be applied. This over-laminate can be a heat activated laminate or a pressure sensitive adhesive with release liner.

- This process is the same as to pre-coating a board.

### 5.6.7. Decaling

When decaling, a laminate is put over the image side and an adhesive backing is put on the backside of the image.

- The process is the same as double-sided lamination.

This decal can later be mounted onto a panel or other substrate.

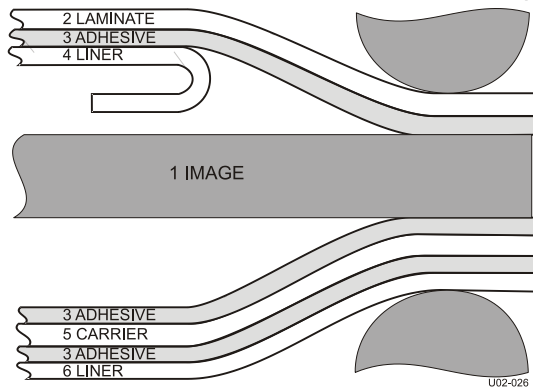


Figure shows the cross section of the layers in the decal process. In this process the largest number of layers is possible.

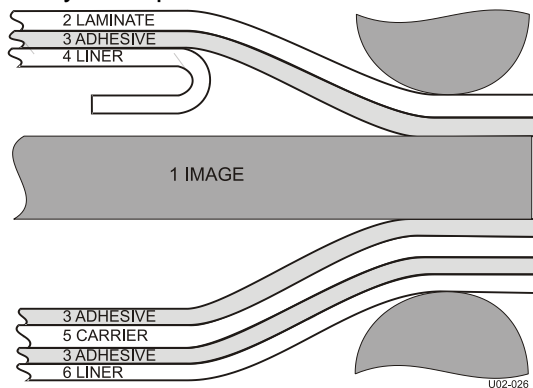


Figure 17: Cross section of layers, when making a decal.

Decaling in general is a cold process, where the bottom layer has no release liner. The removable paper or film (6 = release liner) is not removed during the decal process. The carrier (5) is not always present. In this case the removable paper or film (6) also functions as carrier. The top layer is a normal pressure sensitive laminate, in this case with a release liner. Heat activated laminates in general have no release liners (4), so they just consist of the laminate (2) with a heat activated adhesive layer (3).

Process Control Sheet

**Note:**

We recommend that you make a photocopy of this page. With each successfully run application, record the process and settings and a diagram of the webbing procedure. Keep the record so the application can be repeated at a later date.

**Hint:**

If a standard image is made available for each new process then sales materials and samples can be developed for reference.

Bottom Splitter Bar: [Over/Under] \_\_\_\_\_

Front Chill Idler: [Over/Under] \_\_\_\_\_

Rear chill Idler: [Over/Under] \_\_\_\_\_

**LAMINATOR SETTINGS**

Media: \_\_\_\_\_

Process: \_\_\_\_\_

Application Use: \_\_\_\_\_

Top Front Unwind Shaft: \_\_\_\_\_

Top Front Wind-up Shaft: \_\_\_\_\_

Top Rear Unwind/Wind-up Shaft: \_\_\_\_\_

Bottom Front Unwind Shaft: \_\_\_\_\_

Bottom Front Combi Shaft: \_\_\_\_\_

Bottom Front Combi Shaft: \_\_\_\_\_

Top Rear Wind-up shaft: \_\_\_\_\_

Bottom Rear Combi Shaft: \_\_\_\_\_

**Front Control Panel Settings**

Top Roller Temp: \_\_\_\_\_

Bottom Roller Temp: \_\_\_\_\_

Main Roller Pressure: \_\_\_\_\_

Pull Roller Pressure: \_\_\_\_\_

Pull Roller Clutch pressure: \_\_\_\_\_

Cooling Fan: On / Off \_\_\_\_\_

Motor Speed Setting: \_\_\_\_\_

**WEBBING SETTINGS**

Web Tension Top: \_\_\_\_\_

Light / Med. / Heavy \_\_\_\_\_

Web Tension Bottom: \_\_\_\_\_

Light / Med. / Heavy \_\_\_\_\_

Nip Opening: \_\_\_\_\_

Images: Sheet Fed / Roll \_\_\_\_\_

Top Splitter Bar: [Over/Under] \_\_\_\_\_



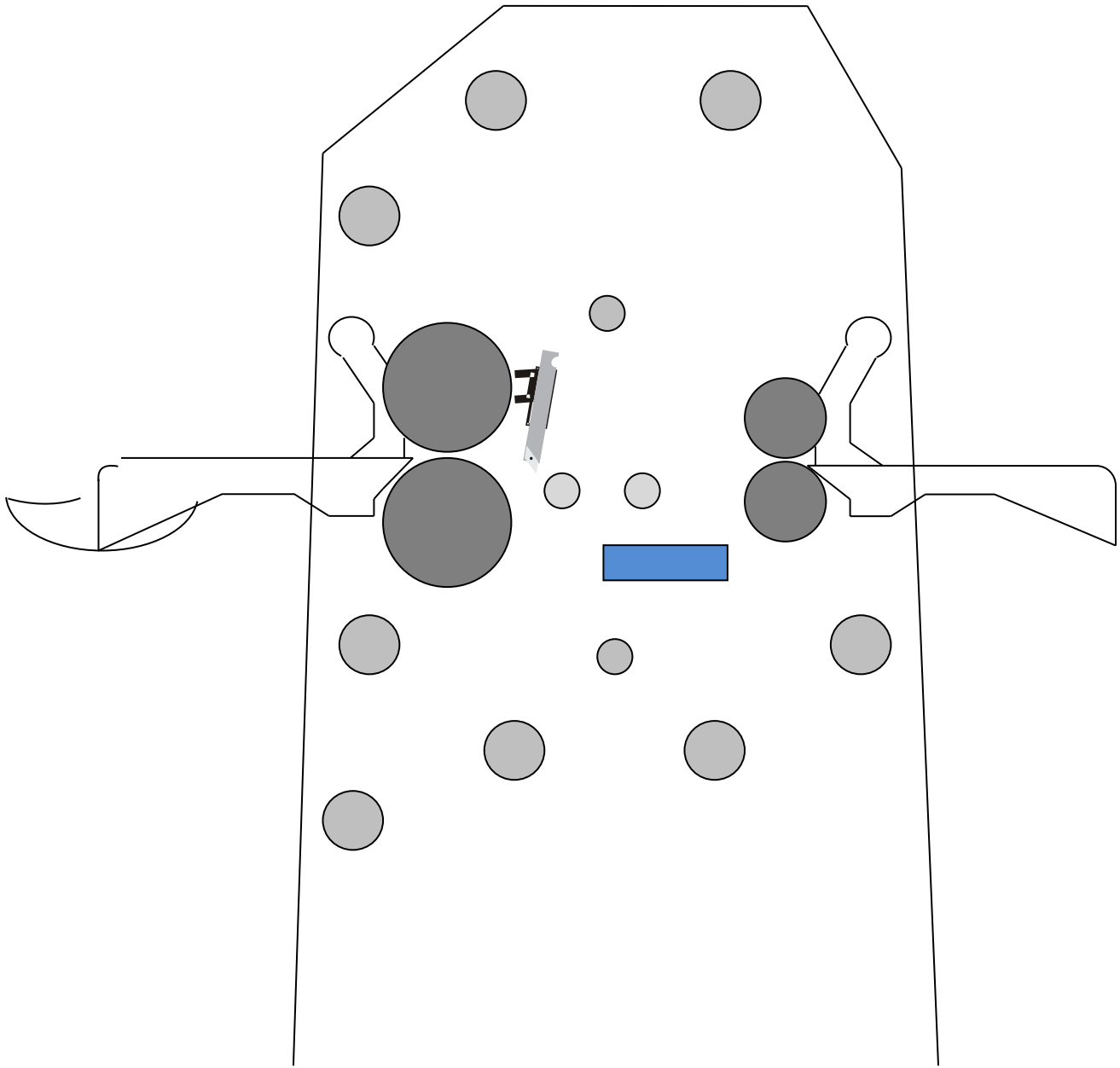


Figure 1: Blank Webbing Diagram

# 6. Maintenance

## 6.1. Cleaning

The machine has to be cleaned regularly. Dirt and dust will have a negative influence on the result of the lamination processes.



**CAUTION:**

**Do not use abrasive materials for cleaning the machine. This can damage the painted surfaces or the silicone covering of the rollers.**

Use a damp cloth for cleaning.



**CAUTION:**

**Make sure water does not run into any of the cabinets. This can damage the electrical circuits when power is applied.**

Clean the exterior of the machine with a damp cloth as needed. If necessary, use a household-cleaning solution to remove difficult marks.

Clean the shafts and the rubber cords on it as required.

### 6.1.1. Cleaning the silicone covered rollers.

The rollers must be cleaned regularly to prevent a build-up of adhesive residue. This may eventually damage the rollers.

Use a damp lint-free cloth to remove dust and other dirt.

Use a silicon-cleaning block to remove the adhesive stains from the rollers.

**Note:**

Adhesive is easier to remove when the rollers are hot.

Put a waste panel between the rollers when cleaning the upper roller, to prevent adhesive remnants from falling onto the lower roller.



**WARNING:**

**MAKE SURE THE ROLLERS ARE COLD WHEN USING ALCOHOL FOR CLEANING. ISOPROPYL ALCOHOL IS VERY FLAMMABLE.**

Difficult stains can be removed with the aid of isopropyl alcohol (IPA) and a clean lint-free cloth.

Do not pour isopropyl alcohol directly on the machine.

## 6.2. Preventative maintenance

Our machines are designed in such way that they need little (preventative) maintenance in addition to the cleaning.

The following checks have to be performed:

- Auto-grip shafts with blocking cords.

### 6.2.1. Auto-grip shafts

Check the auto-grip mechanism on each shaft.

- The distance (d) between the rubber cords and the edges of the recess should be  $8 \pm 2.5$  mm minimum (the cord must not touch the skew).

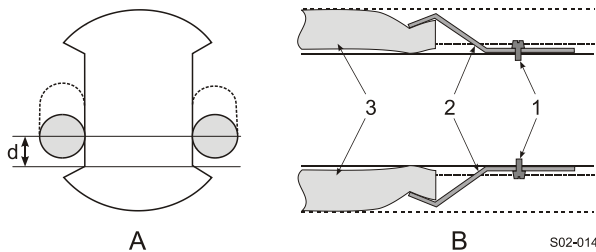


Figure 2: Auto-grip shaft

If not, correct as follows:

- Loosen the clamp (2) with the screw (1) until the cord is free on one side.
- Shorten the cord by approximately 10 mm (4 in.).
- Put the end of the cord back underneath the clamp (2).
- Secure it by tightening the screw (1)

## 6.3. Troubleshooting

During processing wrinkles can show up in the image (1) on the in-feed table (2) and in the process result (4) on the output table.

The figures below show some examples where it is caused by the main rollers (3) or the pull rollers (5), and gives a possible solution.

Wait until a few feet is processed to see results.

### 6.3.1. Pressure too high.

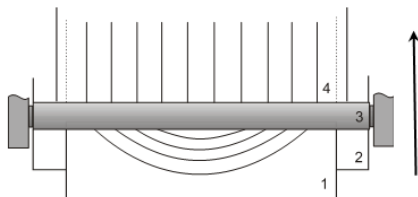


Figure 3: Wrinkles due to high pressure.

- Decrease the roller pressure a little (5-10%).

### 6.3.2. Pressure too low.

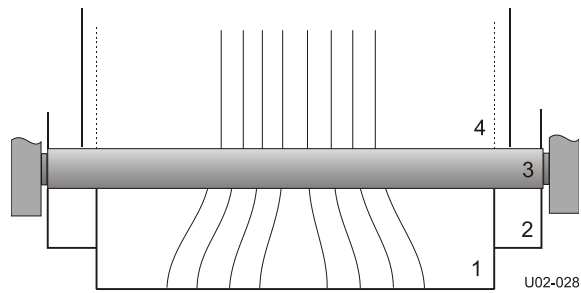


Figure 4: Wrinkles due to low pressure.

- Increase the roller pressure a little (5-10%).

### 6.3.3. Unwind tension too low.

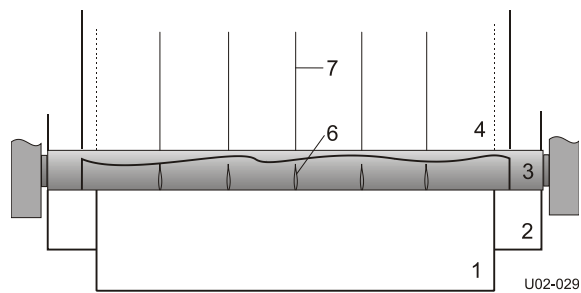


Figure 5: Wrinkles due to low unwind tension.

- Increase the unwind tension until the wrinkles (6) in the film on the roller disappear. The lines (7) in the process result will disappear as well.

### 6.3.4. Pull tension too low.

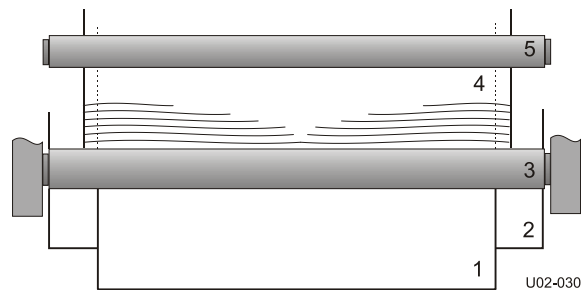


Figure 6: Wrinkles due to low pull tension

- This is a machine adjustment error. Contact ACCO Brands Technical Support team or your reseller and ask for technical assistance.

### 6.3.5. Too much heat in the final result.

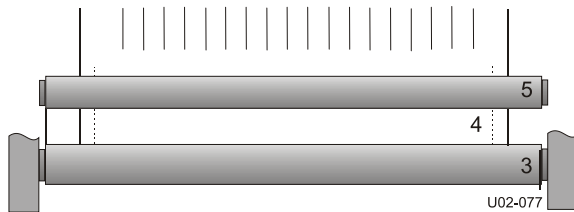


Figure 7: Wrinkles due to too much heat.

The result is still too hot after the pull rollers. The bottom pull roller also gets hot.

- Reduce the heater settings.
- Check the function of the cooling device or have the device installed.

### 6.3.6. Roller alignment fault.

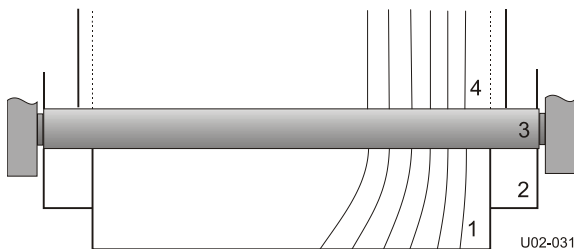


Figure 8: Wrinkles due to faulty roller alignment.

The wrinkles occur on one side only (left or right).

- This is a machine adjustment error. Contact ACCO Brands Technical Support team or your reseller and ask for technical assistance.

### 6.3.7. Material rolls are jumping.

A regular tick can be heard in the shaft suspension.

- Adjust the shaft support (1) by turning up or down the screw (2) with an Allen key (3).

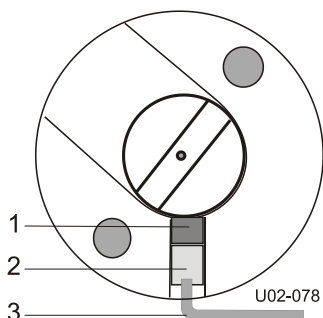


Figure 9: Shaft support adjustment.

### 6.3.8. Machine operation issues

<b>Problem</b>	<b>Solution</b>
The laminator will not turn on.	<ul style="list-style-type: none"><li>• Check if the power cable is plugged into the wall outlet.</li><li>• Check that the Stand-by switch is ON.</li><li>• Make sure the main circuit breakers and machine circuit breakers are flipped up or ON.</li></ul>
The motor will not run.	<ul style="list-style-type: none"><li>• Make sure that the photo-eyes are not blocked.</li><li>• Make sure that the Emergency Stop buttons were not activated. Rotate to reset.</li><li>• Turn the motor speed up.</li><li>• Unplug the laminator and check the fuses. Only authorized safety or maintenance personnel should do this.</li></ul>
The laminator is not heating up or shows erratic temperature readings.	<ul style="list-style-type: none"><li>• Make sure the heater is turned on in the heater screen on the EOI.</li><li>• Make sure the rollers are together and turning at a moderate speed when first heating up.</li></ul>
Images or Prints are rippling or jumping as they are fed into the nip.	<ul style="list-style-type: none"><li>• Apply tension to images or prints as they are fed into the nip. Hold cut sheets back by hand.</li></ul>
The film output is rippled or wavy (boat-waking)	<ul style="list-style-type: none"><li>• Check that you have webbed the laminator correctly.</li><li>• Improper film tension – most encapsulating films need a minimal amount of brake tension.</li><li>• Run the laminator at a higher speed for photo materials or heat-activated prints because exposure to heat at low speeds can cause waving.</li></ul>
The film is cloudy or mottled.	<ul style="list-style-type: none"><li>• Increase the roller temperature or decrease the motor speed.</li><li>• Thicker films may require increased roller pressure due to the thicker film layer.</li></ul>

### 6.3.9. Technical assistance

For Technical assistance contact ACCO Brands Technical Support at 1-800-486-6502.

Write a clear description of the problem before contacting Technical assistance.

Please have the Model number and the Serial Number of your machine at hand. You can find this data on the identification plate of your machine on the rear right side cabinet.

## 7. Glossary

### **Carrier board or sled**

A board with a non-stick surface that is used when laminating one side of an image only.

### **Decal**

An image with an adhesive backside (ex. sticker).

### **Decaling**

Providing an image with laminate on the image side and adhesive on the backside.

### **Encapsulating**

Sandwiching an image between two heat sensitive films .

### **Laminate**

A thin film of clear material to be permanently affixed onto an image.

### **Laminating**

Providing an image with a thin film of clear material.

### **Leader panel**

A piece of stiff cardboard or foam used to lead film into the nip of the main rollers. In addition it is used when pre-coating to prevent adhesive getting onto the rollers.

### **Main rollers**

A set of two silicone coated rollers that perform the actual process.

### **Mounting**

Permanently affixing an image onto a backing board.

### **Mounting film**

Adhesive backing to make an image self-adhesive. On the side that is in contact with the image the carrier has an adhesive with or without release liner. The carrier can function as release liner or be supplied with a second (cold) adhesive layer and release liner.

### **Nip**

The area where the top and bottom main rollers meet is called the nip.

### **Pre-coating**

Coating a substrate with an adhesive mounting film onto which an image can be mounted.

### **Pull rollers**

Set of rollers used in the encapsulation process to stretch the process result in order to avoid warping.

### **Release liner**

Backing film protecting the adhesive layer of a laminate or mounting film. Once the release liner is removed, the adhesive layer becomes exposed.

### **Roll**

A (shaft with a) cylinder loaded with film or release liner.

### **Roller**

One part of the main element in the machine that performs the actual process (see main rollers).

### **Scrap core**

An empty cardboard cylinder left over when all material on a roll is used.

### **Webbing**

Loading the machine with film, so that the machine is ready for processing.

### **Contact Us:**

SEAL Brands Technical Service – US & Canada  
Ph: 1-800-486-6502  
Fax: 1-800-966-4554  
Email: [tsorder@acco.com](mailto:tsorder@acco.com)

SEAL Brands Customer Service – US & Canada  
Ph: 1-800-257-7325  
Fax: 1-800-966-4554  
Email: [csorder@acco.com](mailto:csorder@acco.com)

SEAL  
7091 Troy Hill Drive  
Suite B  
Elkridge, MD 21075

SEAL – Canada  
1601 Matheson Blvd E.  
Unit #4  
Mississauga, Ontario  
Canada, L4W 1H9

PH: 1-800-257-7325

