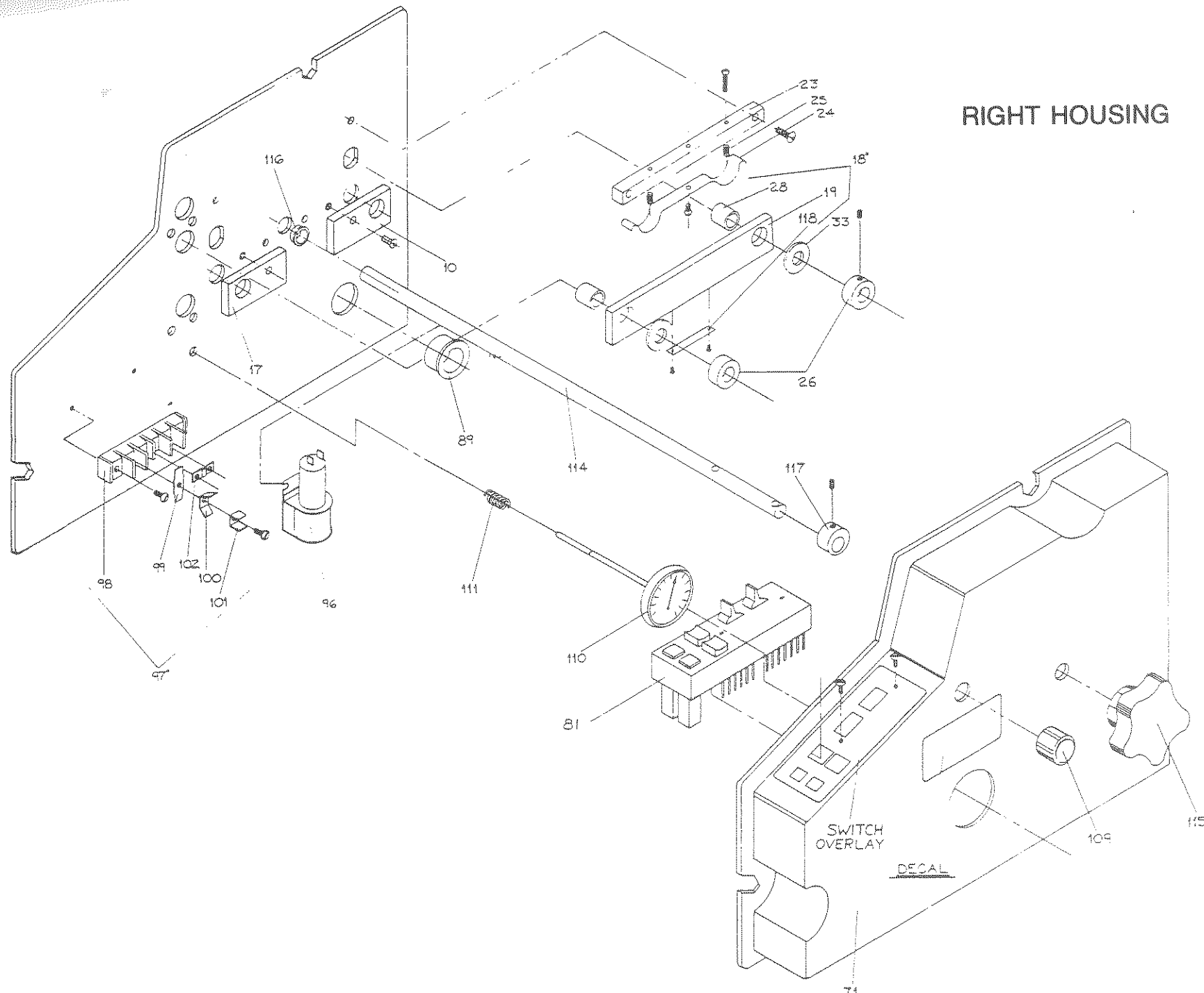


RIGHT HOUSING

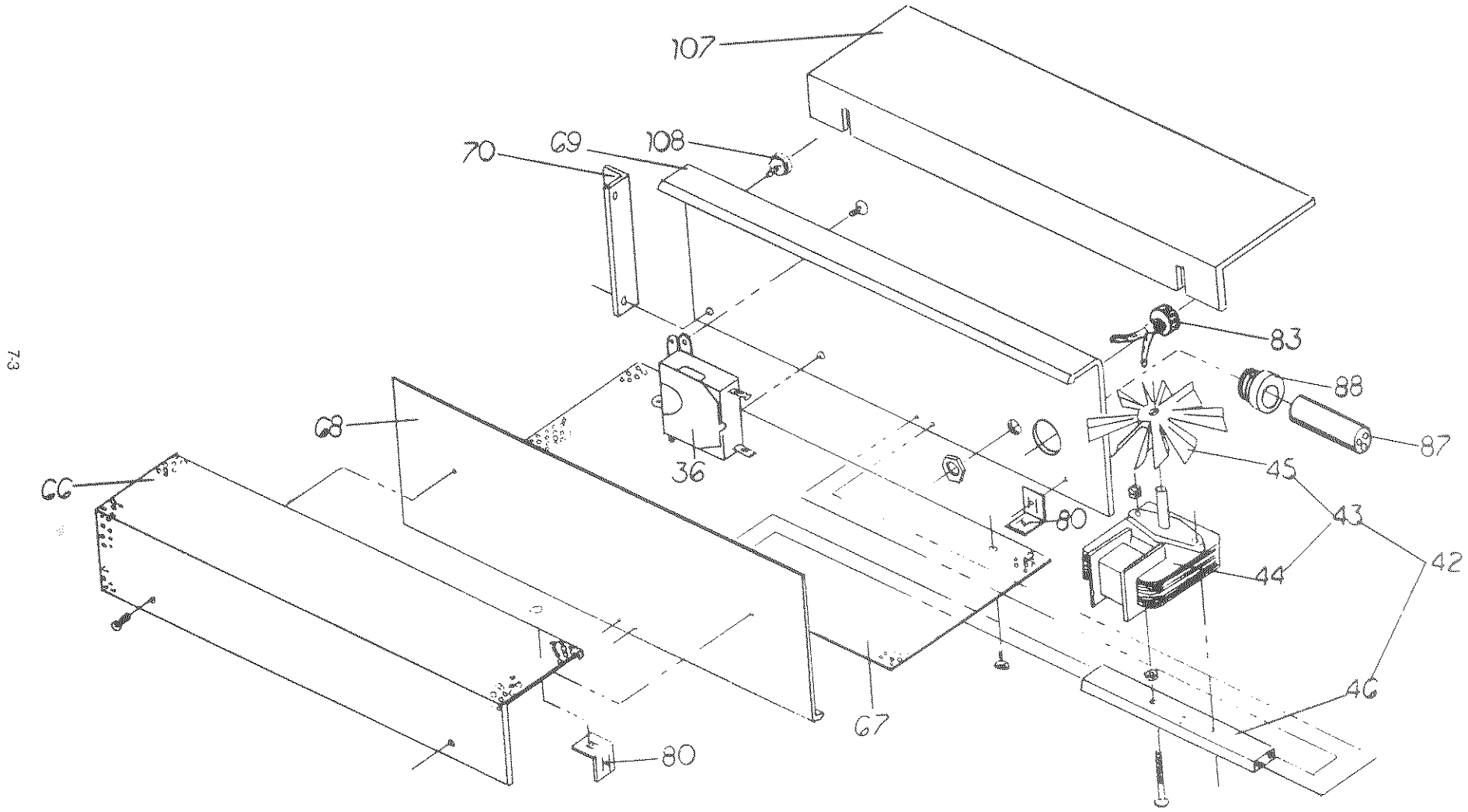
7-2



DECAL

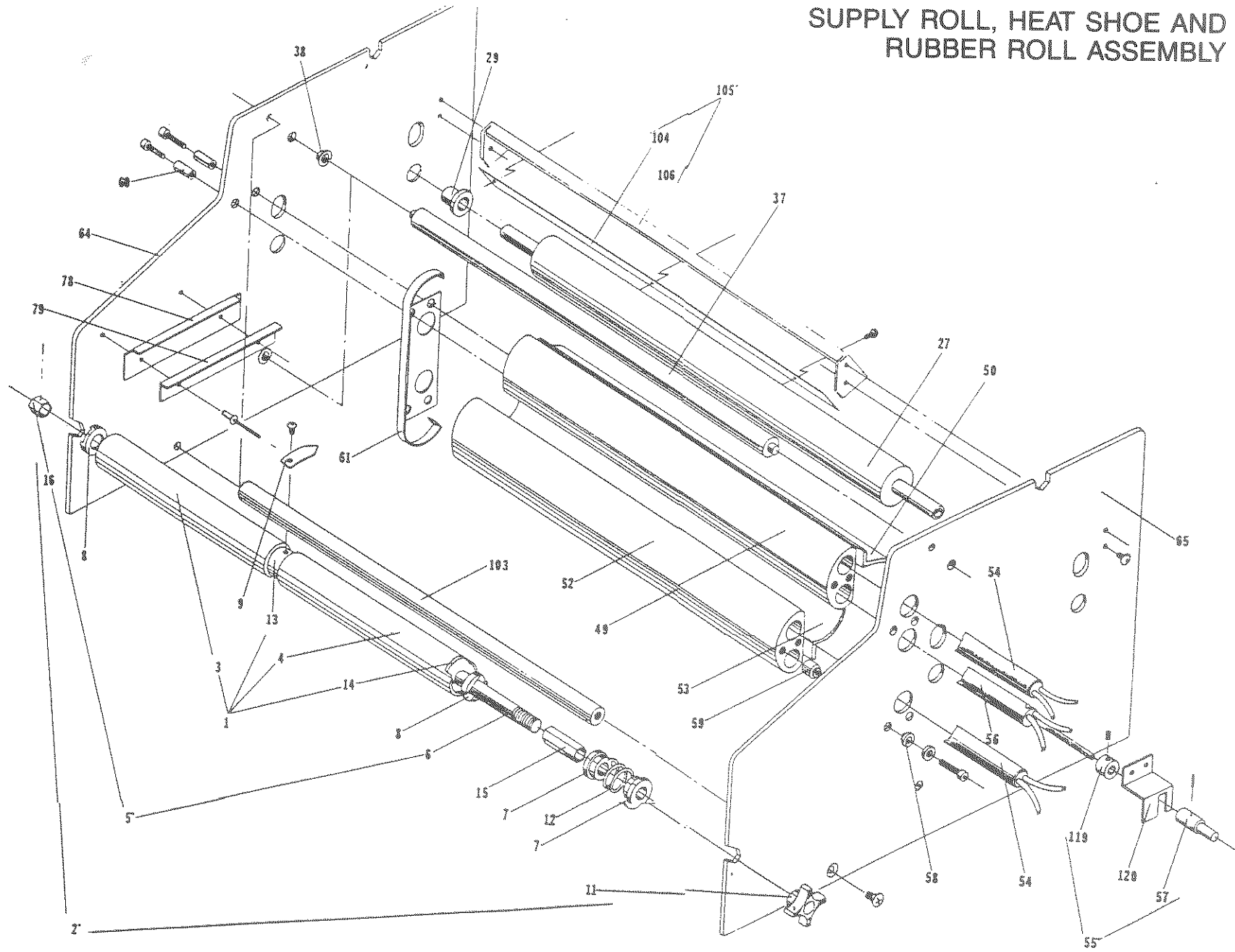
71

MOTOR COVERS AND EXIT TABLE



7-3

SUPPLY ROLL, HEAT SHOE AND RUBBER ROLL ASSEMBLY



PREMIER III REPLACEMENT PARTS LIST

0200=12" MACHINES - 0800=18" MACHINES - 0500=25" MACHINES

7-8

REFERENCE NUMBER	PART NUMBER	DESCRIPTION	NUMBER REQUIRED	REFERENCE NUMBER	PART NUMBER	DESCRIPTION	NUMBER REQUIRED
1	0200, 0800, 0500 002.4	.969 O.D. SUPPLY ROLL MANDREL INCLUDES NUMBERS 3, 4, 13, 14	2	27	0200, 0800, 0500, 040.4	RUBBER ROLL	4
2	0200, 0800, 0500 002.5	SUPPLY ROLL ASSEMBLY INCLUDES NUMBERS 1, 5, 7, 8, 9, 11, 12, 15 (SPECIFY TOP OR BOTTOM)	2	28	PRB043	TOP ROLL OILITE BEARING	4
3	0200, 0800, 0500 002.2L	LEFT SUPPLY ROLL TUBE	2	29	PRB048	BOTTOM ROLL OILITE BEARING	4
4	0200, 0800, 0500 002.R	RIGHT SUPPLY ROLL TUBE	2	30	PRS251	LAMINATING ROLL SPROCKET	1
5	0200, 0800, 0500 011.4	SUPPLY ROLL SHAFT WITH HEX INCLUDES NUMBERS 6 AND 16	2	31	PRS249	PULL ROLL SPROCKET	1
6	0200, 0800, 0500 011.4	SUPPLY ROLL WITHOUT HEX (USES YOUR OLD HEX)	0	32	PRG131	RUBBER ROLL GEAR	4
7	0285 026.4	SUPPLY ROLL HEX BUSHING	4	33	PRW331	GEAR FELT WASHER	6
8	0285 025.4	SUPPLY ROLL FRICTION PLATE	4	34	PRS249	DRIVE SPROCKET	1
9	0285 015.4	SUPPLY ROLL DOG (CORE GRIPPER)	2	35	PRM215	MOTOR	1
10	3285 028.4R	RUBBER ROLL BOTTOM RIGHT REAR BEARING SUPPORT	1	36	PRM215B	MOTOR CAPACITOR	1
11	PRK170	SUPPLY ROLL TENSION KNOB	2	37	0200, 0800, 0500 052.4	IDLER SHAFT	2
12	PRS234	SUPPLY ROLL TENSION SPRING	2	38	PRB057	IDLER SHAFT BUSHING	4
13	0285 019.4	SUPPLY ROLL JOINER	2	39		NOT ASSIGNED	
14	0285 020.4	SUPPLY ROLL FRICTION PLUG	4	40	PRC083B	CHAIN	1
15	0285 027.4	SUPPLY ROLL HEX BUSHING	2	41	PRC084	CHAIN KIT INCLUDES NUMBERS 40, 41 & 1 OFFSET LINK	1
16	0285 023.4	SUPPLY ROLL HEX ADAPTOR	2	42		COOLING SYSTEM: INCLUDES NUMBERS 43, 44, 45, 46	1 2 on 25"
17	0285 028.4R	BOTTOM RIGHT FRONT RUBBER ROLL BEARING	1	43	PRF117.5A	FAN MOTOR AND BLADE	1 2 on 25"
18	3285 030.5	RUBBER ROLL BEARING ASSEMBLY, TOP INCLUDES NUMBERS 19, 28, 118	2	44	PRF117	FAN MOTOR	1 2 on 25"
19	3285 030.4	TOP RUBBER ROLL BEARING SUPPORT	1	45	PRF113	FAN BLADE	1 2 on 25"
20	3285 028.4LR	BOTTOM LEFT REAR ROLL BEARING SUPPORT	1	46	3285 057.4	FAN MOTOR BRACKET	1 2 on 25"
21	3285 028.4LF	BOTTOM LEFT FRONT RUBBER ROLL BEARING SUPPORT	1	47, 48		NOT ASSIGNED	
22	3285 033.5	PRESSURE BAR ASSEMBLY INCLUDES NUMBERS 23 and 24	2	49	0200, 0800, 0500 060.4T	TOP HEAT SHOE	1
23	3285 033.4	PRESSURE BAR	2		0200, 0800, 0500 060.5T	TOP HEAT SHOE ASSEMBLY: INCLUDES NUMBERS 49, 50, 54, 56, 119	1
24	PRS233	PRESSURE BAR LEAF SPRING	2	50	0200, 0800, 0500 061.4	RUBBER ROLL HEATER	2
25	PRS240	PRESSURE BAR COIL SPRING	4 6 on 25"	51		NOT ASSIGNED	
26	PRC092	RETAINING COLLAR	2	52	0200, 0800, 0500 060.4B	BOTTOM HEAT SHOE	1
					0200, 0800, 0500 060.5B	BOTTOM HEAT SHOE ASSEMBLY: INCLUDES NUMBERS 52, 54	1

PREMEIR III REPLACEMENT PARTS LIST continued

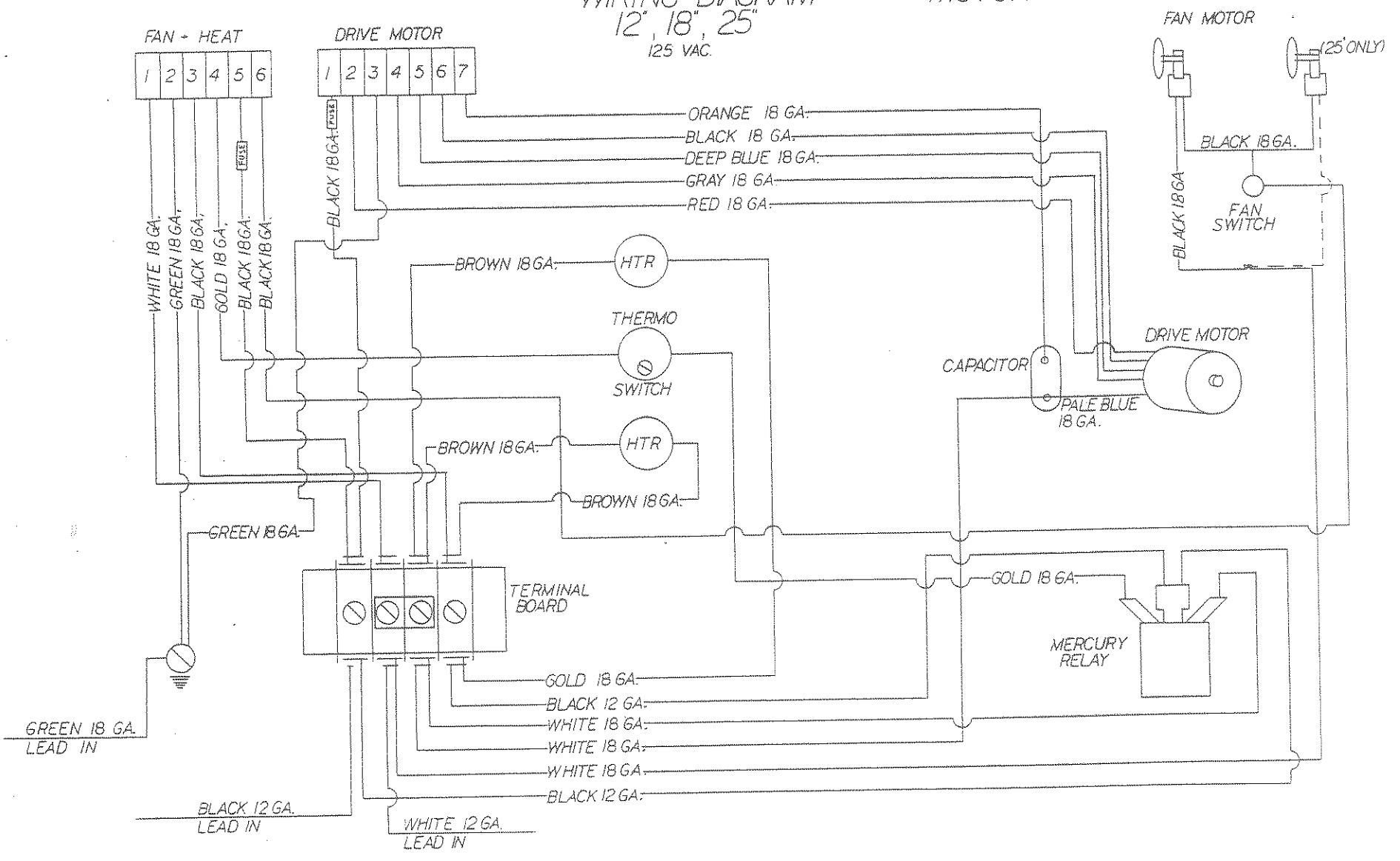
REFERENCE NUMBER	PART NUMBER	DESCRIPTION	NUMBER REQUIRED	REFERENCE NUMBER	PART NUMBER	DESCRIPTION	NUMBER REQUIRED
53		SAME AS NUMBER 50		86	PRT318	LIGHT MOUNTING BRACKET	1
54	PRH144-12" PRH145-18" PRH146-25"	CARTRIDGE HEATER	2	87	PRC102	POWER CORD	1
55		THERMOSWITCH ASSEMBLY INCLUDES NUMBERS 56, 119	1	88	PRB066	STRAIN RELIEF BUSHING	1
56	PRT316	THERMOSWITCH	1	89	PRB064	LARGE SNAP BUSHING	1
57		NOT ASSIGNED		90	0200, 0800, 0500 0965	FEED TABLE ASSEMBLY INCLUDES 73, 74, 75, 76, 77	1
58	PRW332	FIBRE HEAT SHOE WASHER	4	91-95		NOT ASSIGNED	
59	PRS231	FIBRE HEAT SHOE SPACER	4	96	PRR222	RELAY	1
60	PRS230	BRASS HEAT SHOE SPACER	4	97	PRT303.5	TERMINAL BLOCK ASSEMBLY INCLUDES 98, 99, 100, 101, 102	1
61	0285 071.4	HEAT SHIELD	1	98	PRT300	TERMINAL BLOCK	1
62	0200, 0800, 0500 074.5	SAFETY SHIELD ASSEMBLY INCLUDES#62 AND FASTENERS	1	99	PRT306	180° TERMINAL	4
63	0200, 0800, 0500 074.4	SAFETY SHIELD	1	100	PRT307	45° TERMINAL	4
64	0285 090.4L	LEFT SIDE PANEL	1	101	PRT308	90° TERMINAL	1
65	0285 090.4R	RIGHT SIDE PANEL	1	102	PRT309	TERMINAL BLOCK JUMPER	1
66	3200, 3800, 3500 092.4T	TOP MOTOR COVER	1	103	0200, 0800, 0500 110.4	STABILIZER	2
67	3200, 3800, 3500 092.4BT	BOTTOM MOTOR COVER	1	104	0200, 0800, 0500 111.4	CUT OFF BLADE	1
68	3200, 3800, 3500 093.4FT	FRONT MOTOR COVER	1	105	0200, 0800, 0500 112.5	CUT OFF ASSEMBLY INCLUDES NUMBERS 104, 106	1
69	3200,3800 3500 093.4BT	BACK MOTOR COVER	1	106	0200, 0800, 0500 112.4	CUT OFF BRACKET	1
70	0285 091.4	BACK MOTOR COVER BRACKET	2	107	3200, 3800, 3500 113.4	EXIT TABLE	1
71	0285 094.4R	RIGHT HOUSING	1	108	PRK177	EXIT TABLE KNOB	2 3 on 25"
72	0285 094.4L	LEFT HOUSING	1	109	PRK180	THERMOSWITCH KNOB	1
73	0285 097.4S	FEED TABLE GUIDE STABILIZER	1	110	PRT311	THERMOMETER	1
74	0200, 0800, 0500 096.4	FEED TABLE	1	111	PRS238	THERMOMETER SPRING	1
75	0285 097.4L	LEFT FEED TABLE GUIDE	1	112		NOT ASSIGNED	
76	PRK177	FEED TABLE GUIDE KNOB	1	113	3285 121.4	CONTROL PANEL PLATE	1
77	0285 099.4	FEED TABLE GUIDE NUT	1	114	3200, 3800, 3500 130.4	CAM SHAFT	1
78	0285 098.4T	TOP FEED TABLE BRACKET	2	115	PRK175	CAN SHAFT HANDLE	1
79	0285 098.4B	BOTTOM FEED TABLE BRACKET	2	116	PRB058	CAN SHAFT BUSHING	2
80	PRT319	TOP & BOTTOM MOTOR COVER BRACKET	6 7 on 25"	117	3285 133.4	CAM	2
81	PRC116.5	SWITCH AND LIGHT ASSEMBLY	1	118	3285 134.4	CAM WEAR PLATE	2
82-85		NOT ASSIGNED		119	0285 139.4A	THERMOSWITCH STOP COLLAR	1
				120	0285 139.4	THERMOSWITCH STOP	1

WIRING DIAGRAM

PLM III
WIRING DIAGRAM
12", 18", 25"
125 VAC.

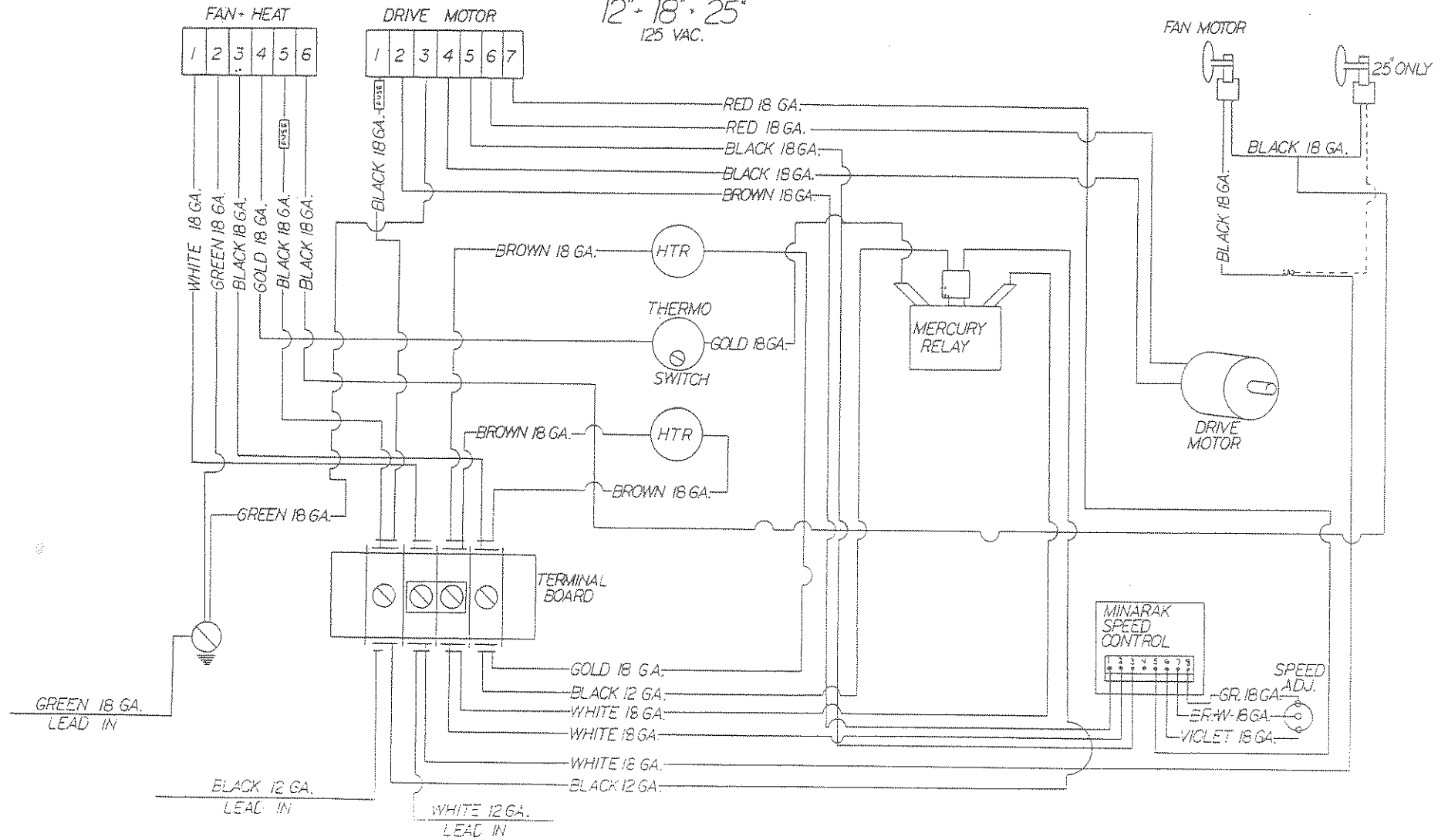
ORIENTAL
MOTOR

7-10



WIRING DIAGRAM

P.M.V.S.
WIRING DIAGRAM
12" x 18" x 25"
125 VAC.



WIRING DIAGRAM 220 VOLT

PLM III
WIRING DIAGRAM
12", 18" AND 25"
230 VAC

ORIENTAL MOTOR 5/10/89
CIRCUIT BOARDS

