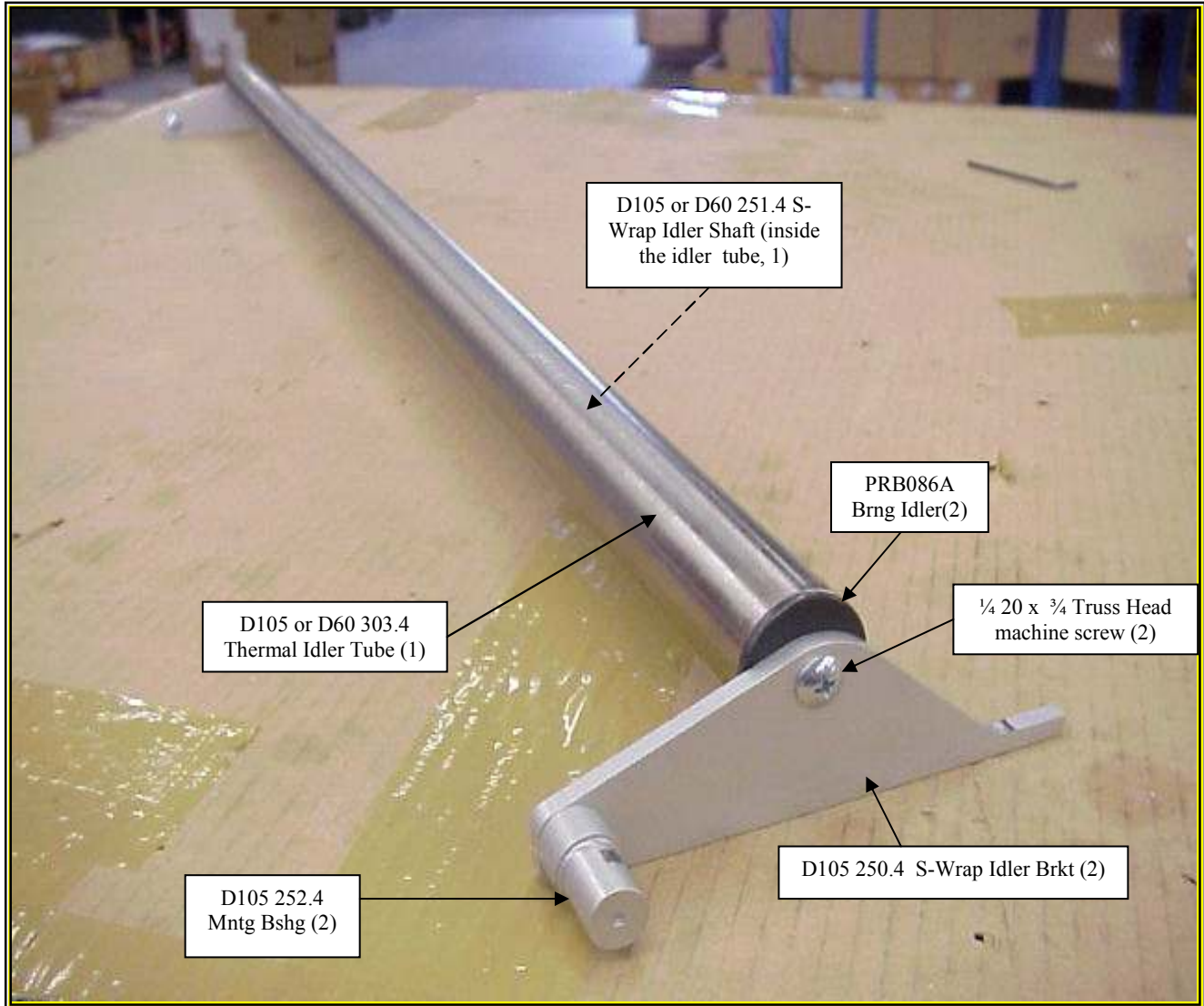


Ledco Digital 42 & 60 Laminator S-Wrap Idler Assembly parts views



Part numbers for S-Wrap assemblies are 8342100 (42) & 8360100 (60) respectively