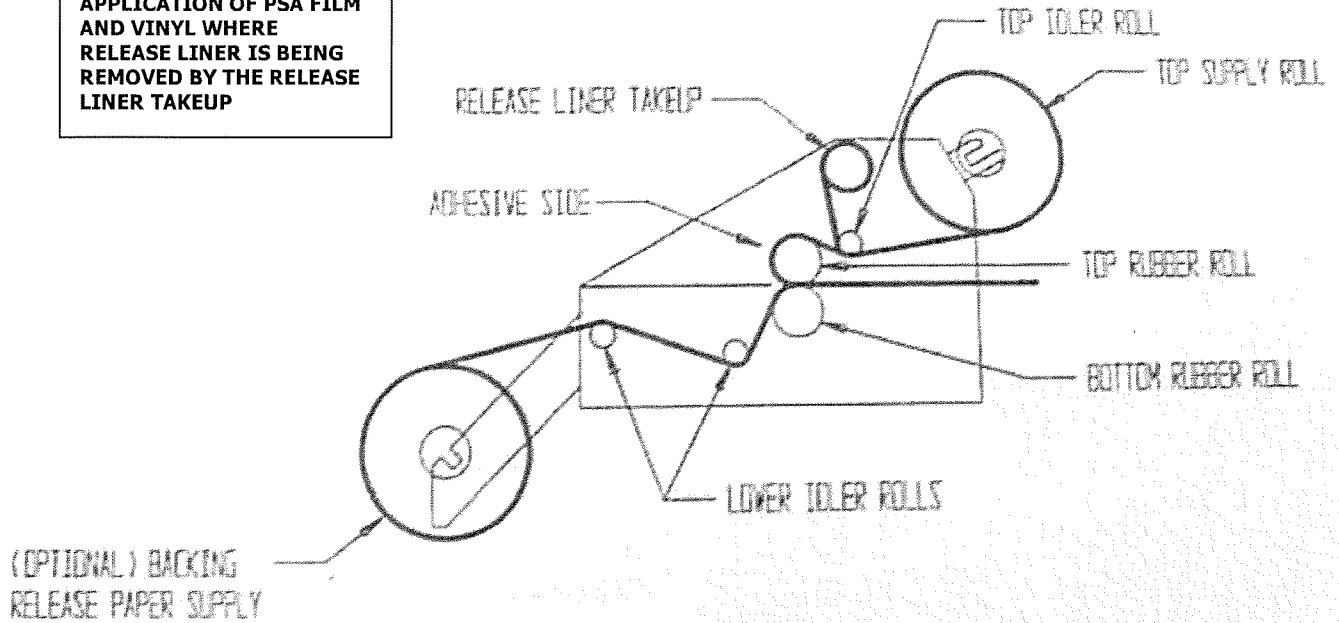
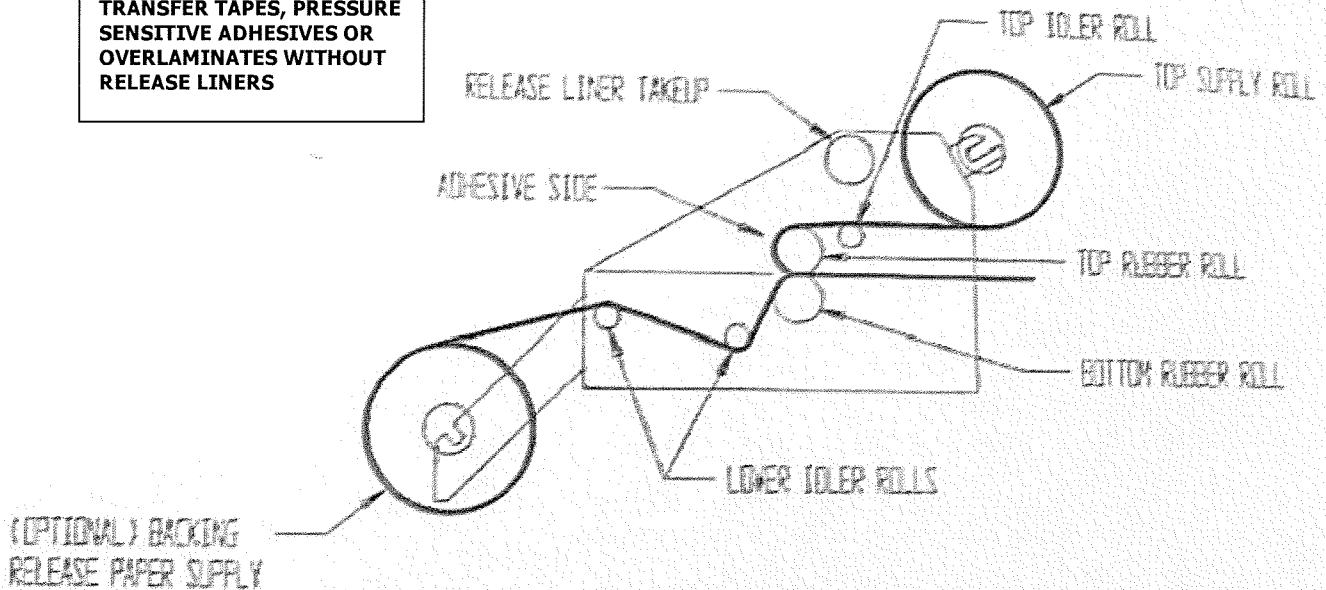


**APPLICATION OF PSA FILM
AND VINYL WHERE
RELEASE LINER IS BEING
REMOVED BY THE RELEASE
LINER TAKEUP**



**APPLICATION OF PREMASKS,
TRANSFER TAPES, PRESSURE
SENSITIVE ADHESIVES OR
OVERLAMINATES WITHOUT
RELEASE LINERS**



NOTE: The operator must use a backing paper either from a supply roll or in sheets to prevent adhesive from adhering to the machine