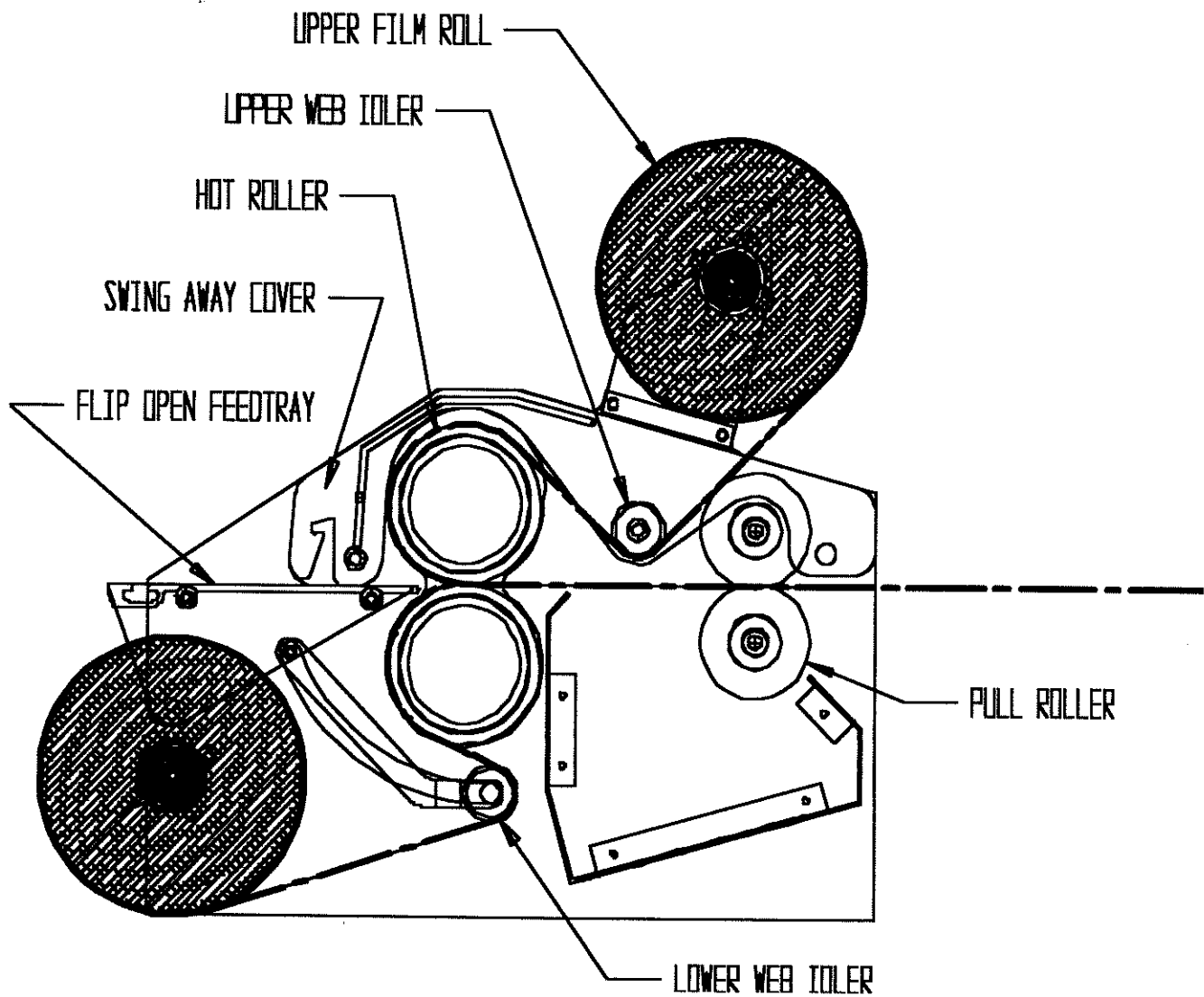


### 5-3 FILM THREADING DIAGRAM

#### THREADING DIAGRAM - PROFESSOR 27 LAMINATOR



## 5-2 THREADING the LAMINATOR

Although this machine can be threaded cold, most operators feel it's easier to thread while it is warming up or already hot. The Professor 27 was designed to allow the operator to safely and easily thread the laminator while it is hot

1. Remove the supply roll mandrels. The supply roll mandrels are now ready to accept loading of the film rolls, wound with the polyester (shiny) side out. The tension control knobs should be positioned on the right
2. Slide a roll of film onto the top supply roll mandrel. Make sure the dull side of the film is facing up and the shiny side is facing the heat rollers during the threading.
3. With the roll of laminate centered on the mandrel, place it in the top bracket. Place the left side of the shaft in its slot first, then place the right side of the shaft in its slot, turning it as needed to align the hexagon bushings with their respective slot(s).
5. Review the threading diagram. Run the film from the top mandrel under the idler bar and drape it across the top heat roller. **Remember, the shiny side of the film must always go against the roller.** The dull (adhesive) side must face away from the roller. With the top roll of film centered on the mandrel and the shiny side facing down and draped over the top heat roller, you are now ready to load the bottom supply roll mandrel.
6. Load the bottom roll of film onto the mandrel in the same manner as the top roll. Remember, the shiny side of the film must always go against the roller. The dull (adhesive) side must face away from the roller. Make sure the two rolls are aligned with each other before going to the next step. Now drape the film from the bottom roll against the film from the top roll on the top roller. If the laminator is hot, the exposed adhesive on the top web will hold the bottom web and make it easy to stick the two webs together. If you are threading the machine while it is cold, use tape to stick the bottom web against the top web.
7. With both rolls threaded and installed in their respective brackets, unwind the top and bottom supply rolls about a half-turn each. This will provide enough slack in the web to allow the feed tray to close easily. Remember, the bottom idler bar is attached to the feed tray. If there's no slack in the web, the feed tray will be difficult to close.
8. Swing the feed tray into it's closed position.
9. Swing the safety shield down into the laminating position. Lock the swing away top cover into position using the lock lever located in the center of the cover. **The machine will not operate without the safety shield ( and integral safety switch ) in the down and locked position.** NOTE: the swing away feed tray is held in it's closed position by the upper swing away cover. The feed tray must be closed before the top cover or the laminator will not function properly. Once the top cover is properly locked, close the laminating rollers with the large knob on the right side of the unit. With the film draped over the two heat rollers, push one edge of the threading card into the roller nip.

Push the drive switch to forward. If the film and the card are in the nip (the point where the laminating rollers meet) the film and the threading card will start into the laminator and will pass through both sets of rubber rollers. When the threading card has cleared the back of the machine, return the forward drive switch to the off/neutral position and return the speed dial to 0.

**DANGER!** The machine will not operate without the safety shield ( and integral safety switch ) in the down and *locked* position. The safety shield must be in position over the upper heat roller whenever the rollers are turning or machine is heating. The laminator is designed to be run with operator directly in front and facing the control panel, not at an angle or from the side.

**MISE IN GARDE!** L'écran de sécurité doit recouvrir la plaque chauffante supérieure lorsque les rouleaux tournent or que la machine est en train de chauffer le materiau. La machine a plastifier est concue pour que l'opérateur se place directement en face du tableau de commande et non en biais par rapport a celui-ci, ou sur le cote.

**PELIGRO!** La pantalla protectora debe estar puesta sobre la placa termica superior cada vez que giren los rodillos o se caliente la maquina. El laminador esta disenado para que el operador lo haga funcionar directamente por delante mirando el panel de control, no en una esquina o desde u un costado.